



Unico



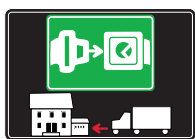
SHELF
SUPPORTS





SYMBOLS AND FINISHES LEGEND

SYMBOLS



= SHELF SAFELY LOCKED DURING TRANSPORTATION AND AT HOME.



= ANTI-TURNOVER LOCKING SYSTEM



= NORMS / PATENTS



= PHILLIPS / POZIDRIV



= WITH BUFFER



= PART NO.



= BLADE SLOT



= WITH MAGNET



= PCS. PER PACKAGE



= COMBI SLOT



= WITH MAGNET



= HEXAGONAL SOCKET



= NEWTON



= CAPACITY LOADING



= HEXALOBULAR SOCKET



= FRICTION



= WOOD / GLASS THICKNESS



= COUNTERSUNK HEAD



= AUTOMATIC



= HOLE DIAMETER



= PAN HEAD



= DROP DOWN



= DIAMETER



= FLANGE HEAD



= LENGTH



= FLAT HEAD



= STANDARD HINGE



= HEIGHT



= TRILOBULAR SCREW



= KIMANA HINGE



= RIGHT VERSION



= SELF-TAPPING SCREW



= FLAP HINGE



= LEFT VERSION



= EURO THREAD



= WITH SPRING



= SETTING CODE



= METRIC THREAD



= WITHOUT SPRING



= PCS. PER PAD



= PRE-INSERTED SCREW



= REVERSED SPRING



= CUT ON REQUEST



= PRE-INSERTED SCREW AND SPREADING BUSH



= WITH FLANGE



= SELF ADHESIVE



= WITH FLANGE

NOTE: Printing errors and omissions may exist despite our best efforts to ensure accuracy. We reserve the right to alter specifications without notice.

MATERIALS

ZA = Zinc Alloy	ST = Steel	HSS = High Speed Steel	BR = Brass	ABS = Acrylonitrile Butadiene Styrene
ZAnk = Nickel-plated Zinc Alloy	STzk = Zinc-plated Steel	AL = Aluminium	WD = Wood	EVA = Ethylene Vinyl Acetate

EP = ENGINEERING PLASTIC	+ EP = other engineering plastic available on request	SR = SOFT RUBBER	+ SR = other soft rubber available on request
--	--	--------------------------------	--

EPn = Natural Engineering Plastic	EPc = Clear Engineering Plastic	SRn = Natural Soft Rubber
EPw = White Engineering Plastic	EPg = Grey Engineering Plastic	SRw = White Soft Rubber
EPwg = Water Green Engineering Plastic	EPa = Anthracite Engineering Plastic	SRb = Black Soft Rubber



FINISHES



+ **OTHER FINISHES AVAILABLE ON REQUEST**

PART NO.	FINISHES	PART NO.	FINISHES	PART NO.	FINISHES
OO	Insignificant finish	IF	Middle Grey	RO	Red
AA	Natural	IJ	Light Grey	UT	T-Met 9007
AB	White	IL	Grey 20	UZ	T-Met
AE	White 9010	IN	Grey met. 26	WA	Bronzed
EA	Black	JB	Bright Aluminium	WI	Burnished
EC	Matt Black	JC	Aluminium - Chrome	XD	Satin-finished Steel
EE	Anthracite	JD	Matt Aluminium	YA	Nickel-plated
EW	Grey 9007	JE	Satin-finished Aluminium	YB	Bright Nickel-plated
FU	Gunmetal	JF	Aluminium - Brass	YC	Matt Nickel-plated
FV	Gunmetal V52	JG	Aluminium 5	YD	Satin-finished Nickel-plated
GR	Raw	JL	Aluminium PE 11	YQ	Black Nickel
HA	Brass-Plated	JM	Aluminium RAL 9006	Z9	Black Zinc
HH	Tropicalized	KA	Chrome	ZA	Zinc alloy
HL	Raw Brass	KB	Bright Chrome	ZN	Zinc-plated
HX	Graphite	KC	Matt Chrome	ZQ	Bright Gold
IA	Grey	LD	Brown 8019	ZY	Titanium
IB	Metallic Grey	NN	Metallic Beige	ZZ	Clear



UNICO



UNICO is a wood shelf support to be slotted into the panel by making face borings. It is conceived also for transportation, as the shelf is secured in position, thus it is a useful solution for both flat pack and rigid furniture. It consists of a zinc alloy shelf support with a ridged wing on both sides combined with a sliding engineering plastic clip.

When the sliding clip moves forwards, its wedge shape inside the shelf support applies a pressure against the two zinc alloy ridged wings.

UNICO boasts two main benefits:

- Quicker installation of the shelf: just place in the required position the shelf supports with the wings already spread and then push downwards the shelf. The ridged wings grip into the chipboard and lock the shelf in position.

- Easy repositioning of the shelf: just retreat the wings by moving backwards the sliding clips through the fingernail or screwdriver blade sockets., the wings retreat. Push upwards the shelf to release.

The minimum shelf thickness to install UNICO is 15 mm.



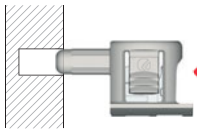
15 mm min.



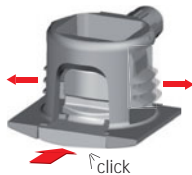
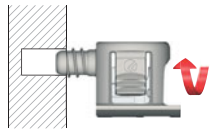
Certificates available on request.



Assembling with smooth pin

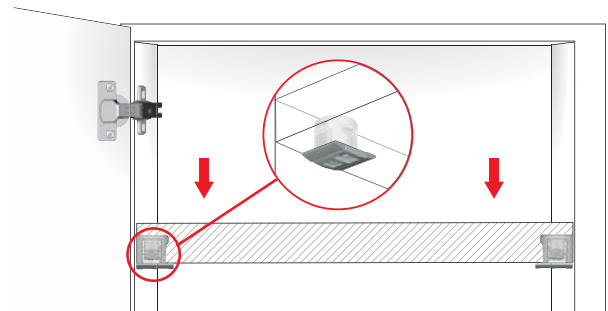
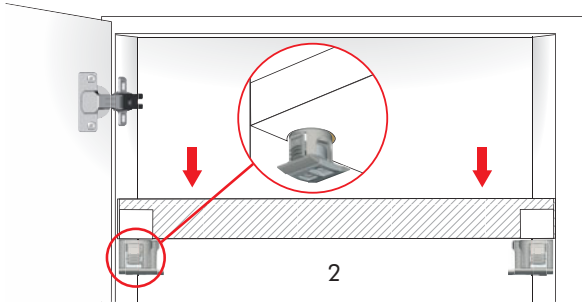
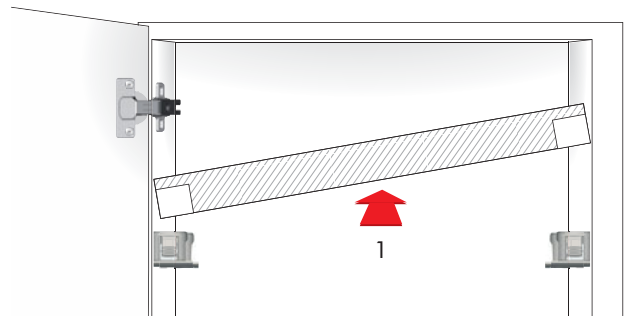


Assembling with threaded pin to achieve horizontal connection

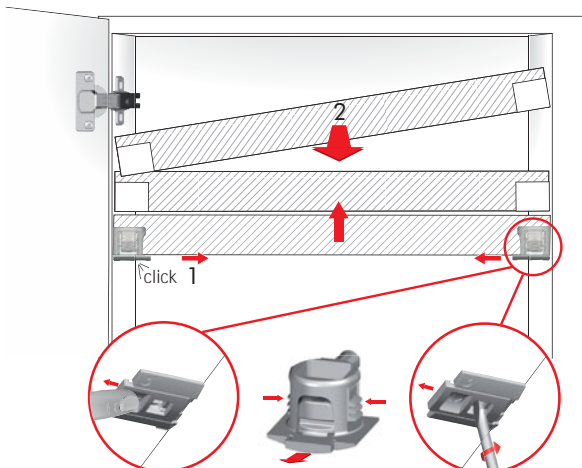


Unico is supplied with the sliding clip already in the forward position ready for installation

SHELF INSTALLATION

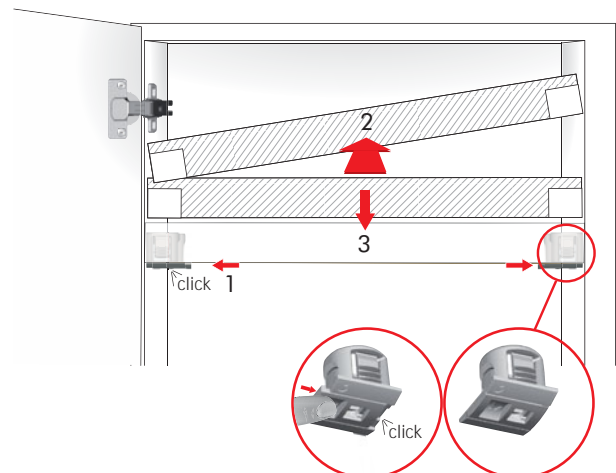


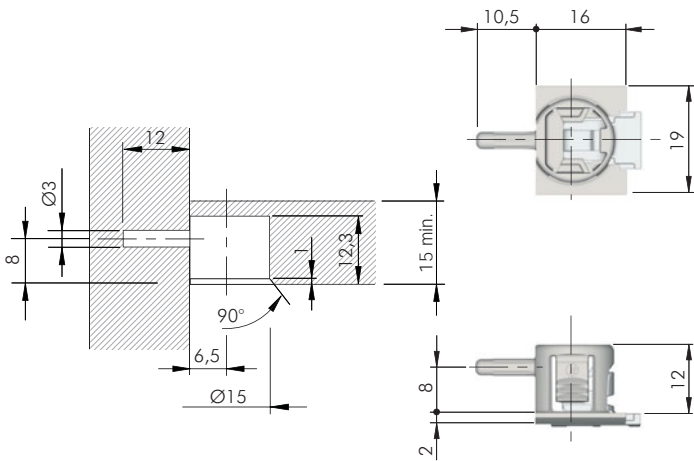
SHELF REMOVAL FOR NEW REPOSITIONING



Shelf release through fingernail socket

Shelf release through screwdriver blade socket





= Ø 3 mm

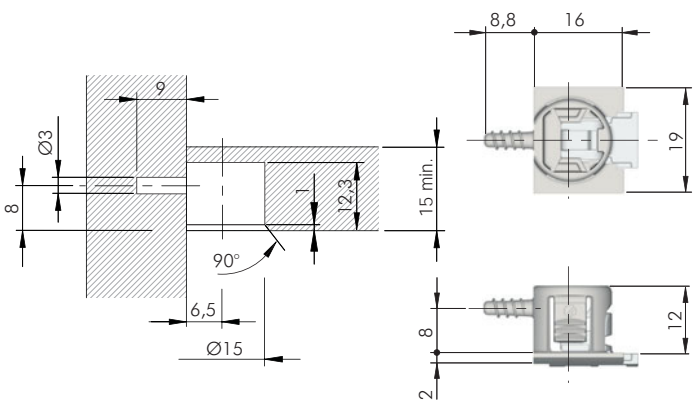


ZA EPg

= 2500 pcs.



10703010YA



= Ø 3 mm

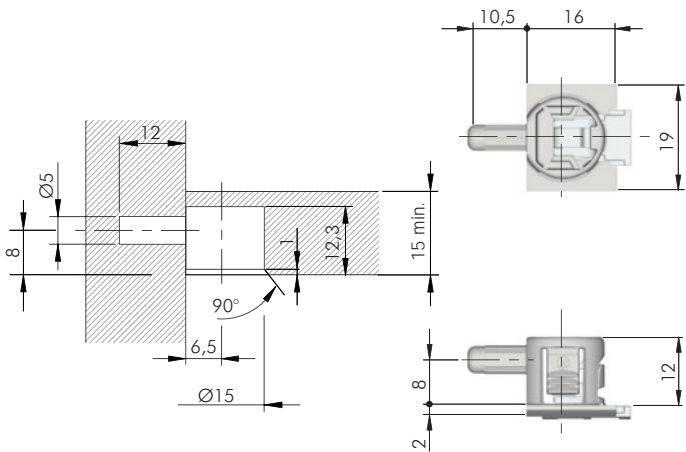


ZA EPg

= 2500 pcs.



10704010YA



= Ø 5 mm

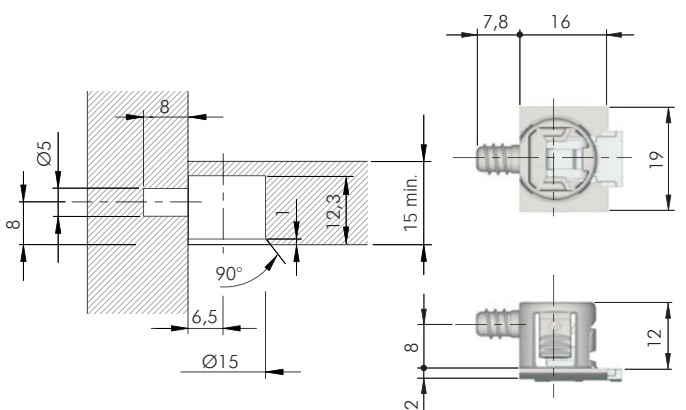


ZA EPg

= 2500 pcs.



10701010YA



= Ø 5 mm



ZA EPg

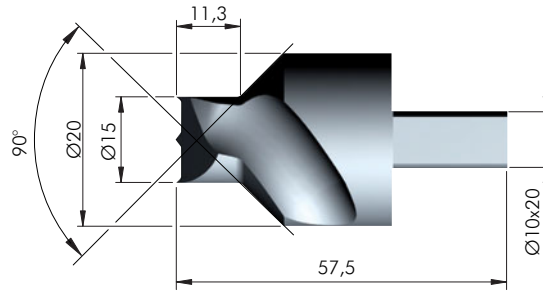
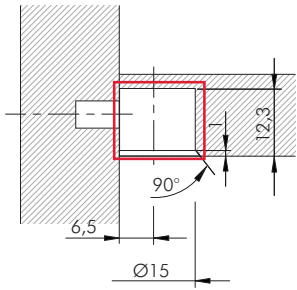
= 2500 pcs.



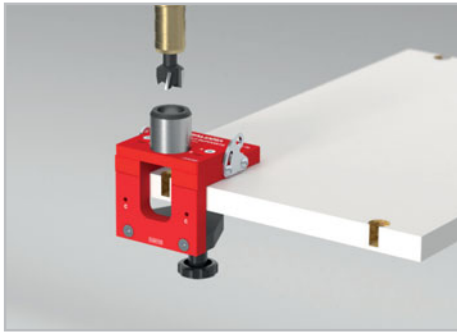
10702010YA



DRILL BIT FOR UNICO

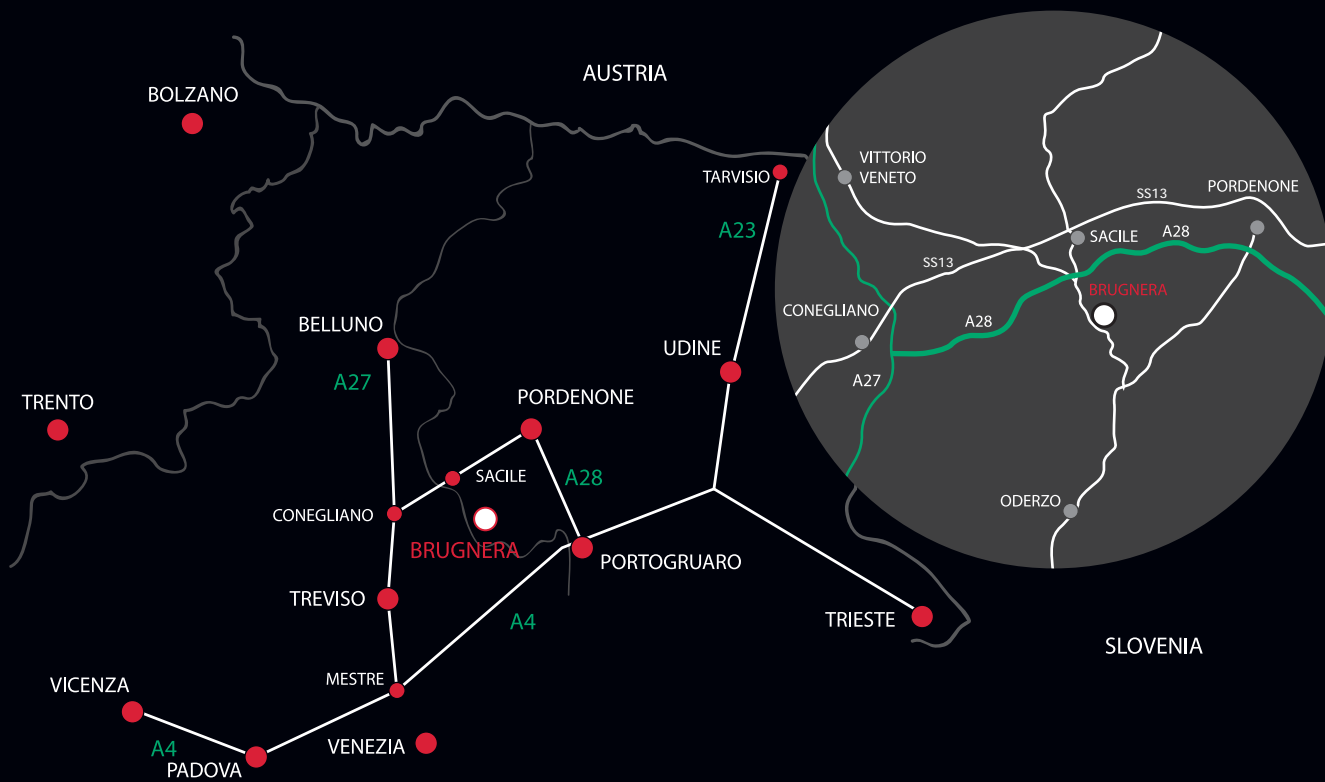


HSS	= on request
1075201000	
1075204000	



All the information about drilling jigs are available at the end of the chapter "Shelf Supports".





www.italianaferramenta.it