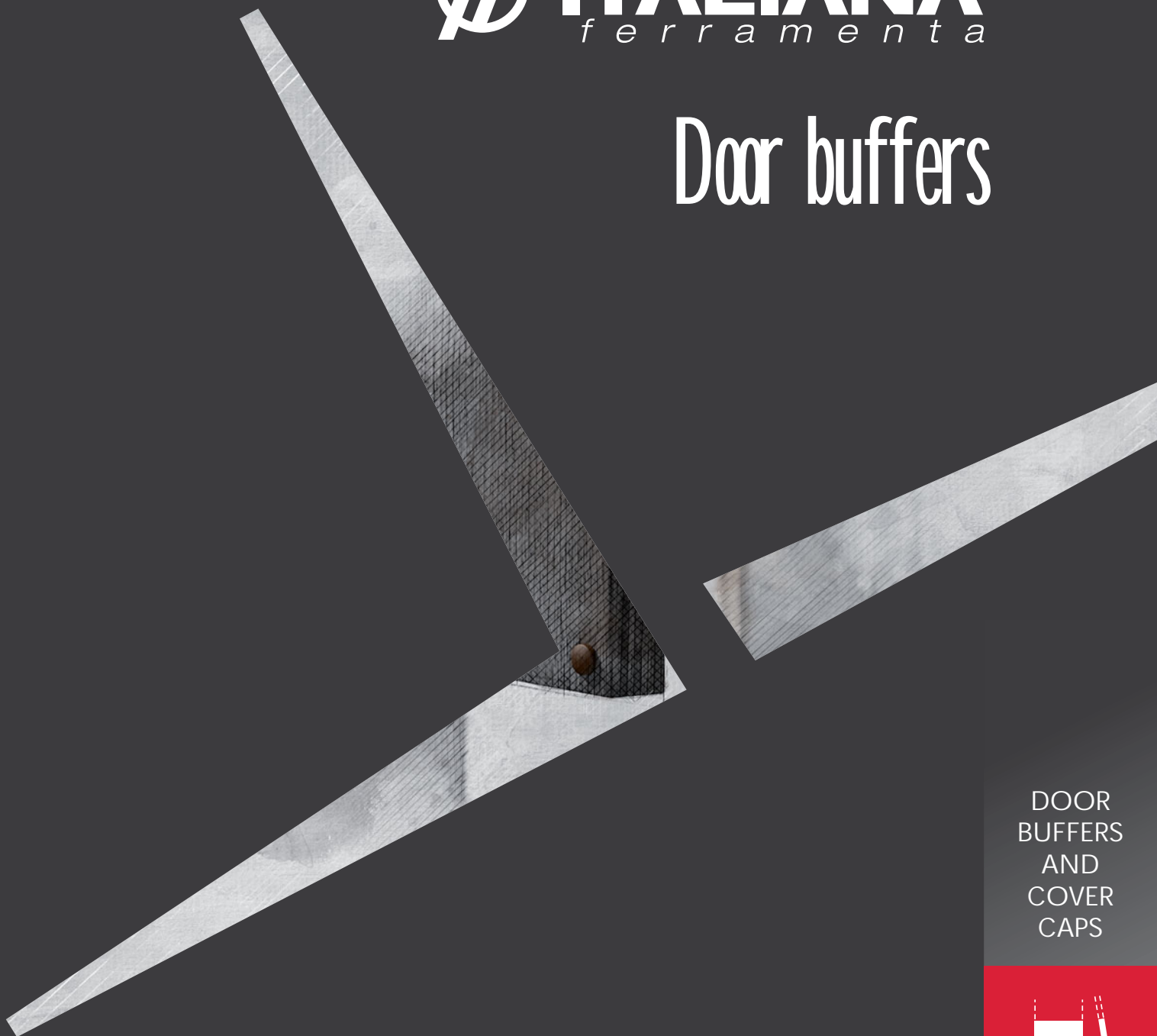




# Door buffers



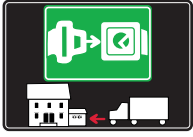
DOOR  
BUFFERS  
AND  
COVER  
CAPS





# SYMBOLS AND FINISHES LEGEND

## SYMBOLS



= SHELF SAFELY LOCKED DURING TRANSPORTATION AND AT HOME.



= ANTI-TURNOVER LOCKING SYSTEM



= NORMS / PATENTS



= PHILLIPS / POZIDRIV



= WITH BUFFER



= PART NO.



= BLADE SLOT



= WITH MAGNET



= PCS. PER PACKAGE



= COMBI SLOT



= HEXAGONAL SOCKET



= NEWTON



= CAPACITY LOADING



= HEXALOBULAR SOCKET



= FRICTION



= WOOD / GLASS THICKNESS



= COUNTERSUNK HEAD



= AUTOMATIC



= HOLE DIAMETER



= PAN HEAD



= DROP DOWN



= DIAMETER



= FLANGE HEAD



= LENGTH



= FLAT HEAD



= STANDARD HINGE



= HEIGHT



= TRILOBULAR SCREW



= KIMANA HINGE



= RIGHT VERSION



= SELF-TAPPING SCREW



= FLAP HINGE



= LEFT VERSION



= EURO THREAD



= WITH SPRING



= SETTING CODE



= METRIC THREAD



= WITHOUT SPRING



= PCS. PER PAD



= PRE-INSERTED SCREW



= REVERSED SPRING



= CUT ON REQUEST



= PRE-INSERTED SCREW AND SPREADING BUSH



= SELF ADHESIVE



= WITH FLANGE

NOTE: Printing errors and omissions may exist despite our best efforts to ensure accuracy. We reserve the right to alter specifications without notice.

## MATERIALS

**ZA** = Zinc Alloy

**ST** = Steel

**HSS** = High Speed Steel

**BR** = Brass

**ABS** = Acrylonitrile Butadiene Styrene

**ZAnk** = Nickel-plated Zinc Alloy

**STzk** = Zinc-plated Steel

**AL** = Aluminium

**WD** = Wood

**EVA** = Ethylene Vinyl Acetate

**EP** = **ENGINEERING PLASTIC**

+ **EP** = other engineering plastic available on request

**SR** = **SOFT RUBBER** + **SR** = other soft rubber available on request

**EPn** = Natural Engineering Plastic

**EPc** = Clear Engineering Plastic

**SRn** = Natural Soft Rubber

**EPw** = White Engineering Plastic

**EPg** = Grey Engineering Plastic

**SRw** = White Soft Rubber

**EPwg** = Water Green Engineering Plastic

**EPa** = Anthracite Engineering Plastic

**SRb** = Black Soft Rubber



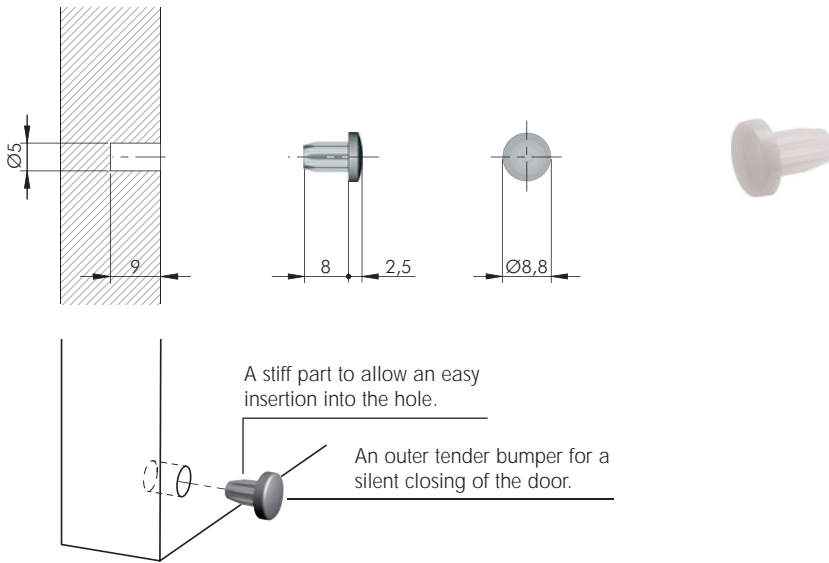
## FINISHES



+ **OTHER FINISHES AVAILABLE ON REQUEST**

PART NO.	FINISHES	PART NO.	FINISHES	PART NO.	FINISHES
OO	Insignificant finish	IF	Middle Grey	RO	Red
AA	Natural	IJ	Light Grey	UT	T-Met 9007
AB	White	IL	Grey 20	UZ	T-Met
AE	White 9010	IN	Grey met. 26	WA	Bronzed
EA	Black	JB	Bright Aluminium	WI	Burnished
EC	Matt Black	JC	Aluminium - Chrome	XD	Satin-finished Steel
EE	Anthracite	JD	Matt Aluminium	YA	Nickel-plated
EW	Grey 9007	JE	Satin-finished Aluminium	YB	Bright Nickel-plated
FU	Gunmetal	JF	Aluminium - Brass	YC	Matt Nickel-plated
FV	Gunmetal V52	JG	Aluminium 5	YD	Satin-finished Nickel-plated
GR	Raw	JL	Aluminium PE 11	YQ	Black Nickel
HA	Brass-Plated	JM	Aluminium RAL 9006	Z9	Black Zinc
HH	Tropicalized	KA	Chrome	ZA	Zinc alloy
HL	Raw Brass	KB	Bright Chrome	ZN	Zinc-plated
HX	Graphite	KC	Matt Chrome	ZQ	Bright Gold
IA	Grey	LD	Brown 8019	ZY	Titanium
IB	Metallic Grey	NN	Metallic Beige	ZZ	Clear

## BI-MATERIAL



= Ø 5 mm +

= 5000 pcs.

---

**23203010ZZ**

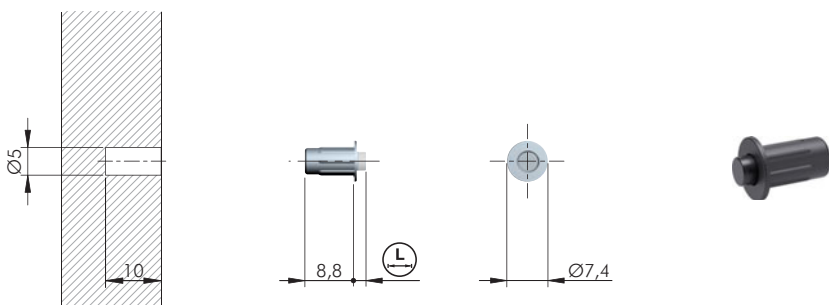
**23203010MB**

**23203010AB**

**23203010IF**

**23203010EE**

## K FLEX

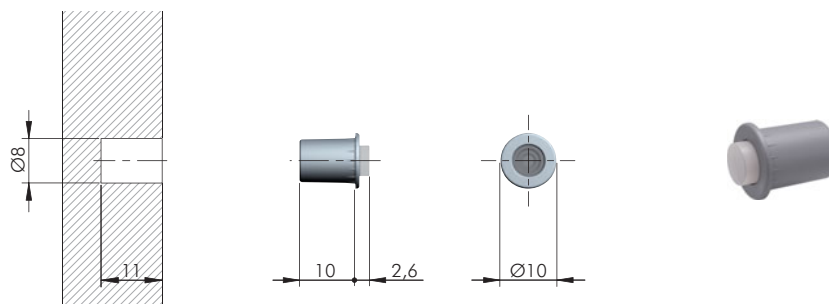


= Ø 5 mm +

= 1000 pcs.

---

<b>23203130IJ</b>	2,3
<b>23203130EE</b>	2,3
<b>23203140IJ</b>	3
<b>23203140EE</b>	3

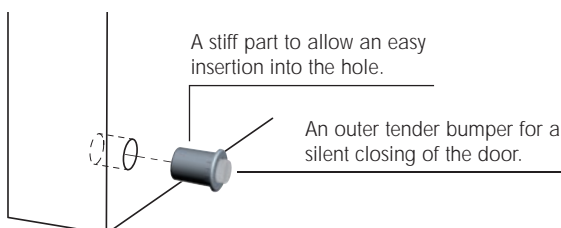


= Ø 8 mm +

= 1000 pcs.

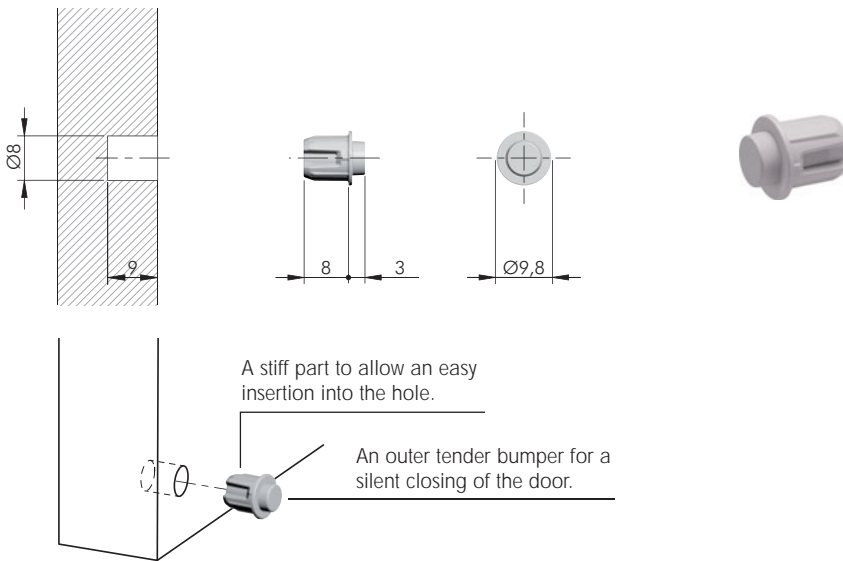
---

**23203110IN**





## BLOW

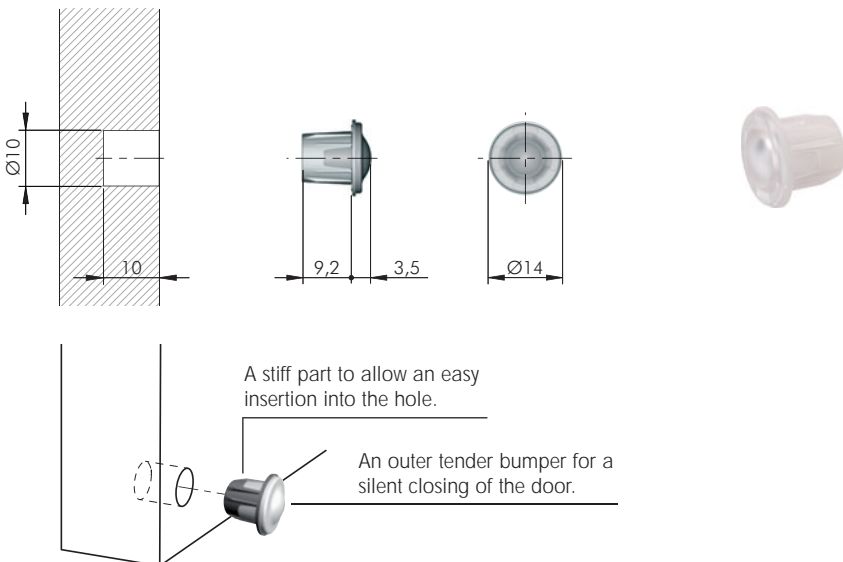


= Ø 8 mm	+
EP SR	= 1000 pcs.
123	
<b>23203200J</b>	
<b>23203200EE</b>	

## SOFT

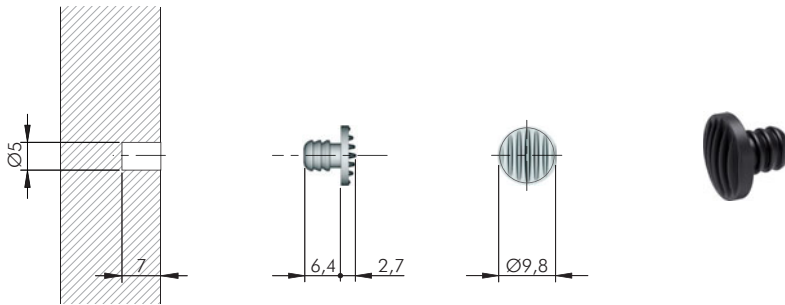


*Certificates available on request.*



= Ø 10 mm	+
EP SR	= 5000 pcs.
123	
<b>23203050AA</b>	

## SOFT DOOR BUFFERS



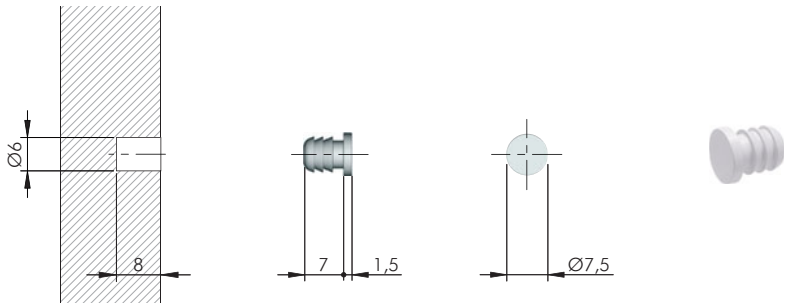
SR

= 5000 pcs.



23203020EA

23203020AB

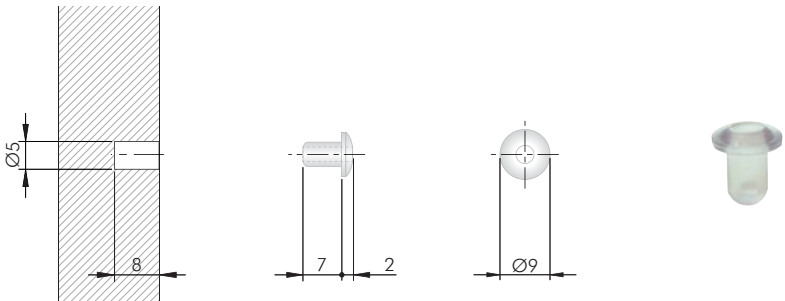


SR

= 5000 pcs.



23203030AB

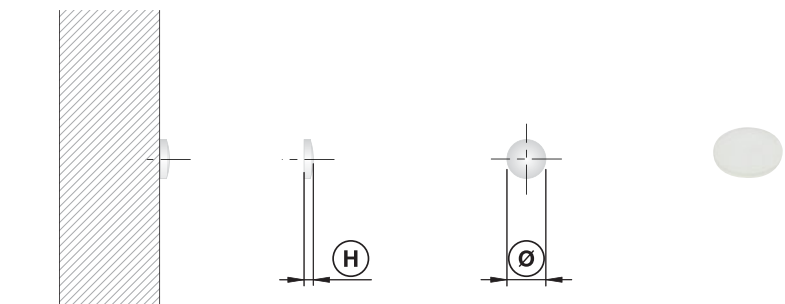


SR

= 5000 pcs.



23203080ZZ



EVA



23205010ZZ



7



1,5



10.000

23205290ZZ

8

2

8000

23205110ZZ

8

1,6

10.000

23205030ZZ

10

1,5

10.000

23205040ZZ

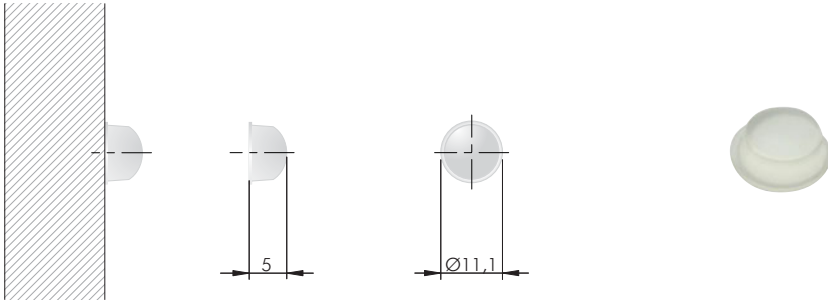
10

3

5000

Part no. refers to 1 single door buffer.

NOTE: = on request



= 55 pcs.

EVA

73 pads = 4015 pcs.

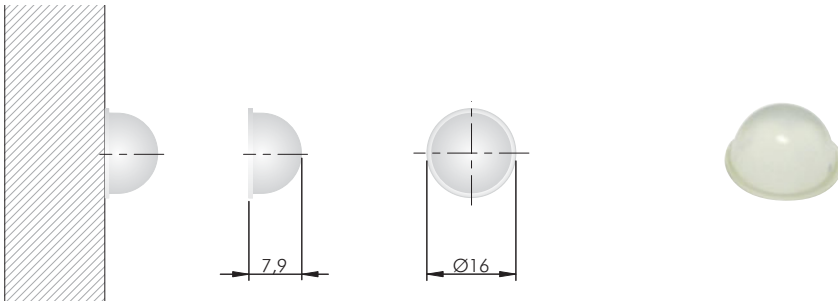


**23205120ZZ**



Part no. refers to 1 single door buffer.

NOTE: = on request



= 32 pcs.

EVA

50 pads = 1600 pcs.

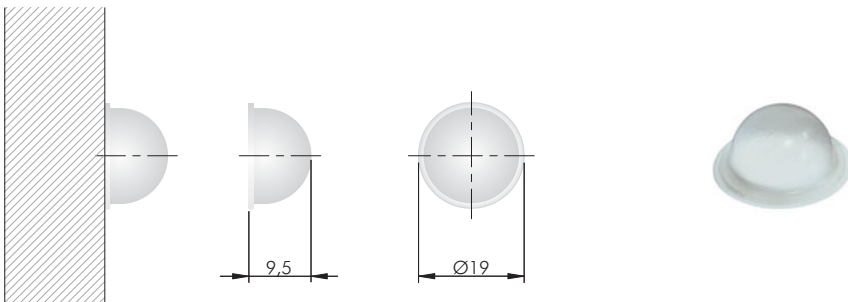


**23205130ZZ**



Part no. refers to 1 single door buffer.

NOTE: = on request



= 21 pcs.

EVA

48 pads = 1008 pcs.

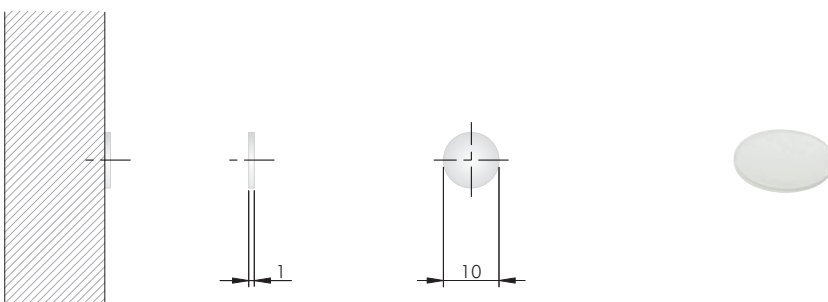


**23205140ZZ**



Part no. refers to 1 single door buffer.

NOTE: = on request



= 50 pcs.

EVA

200 pads = 10000 pcs.

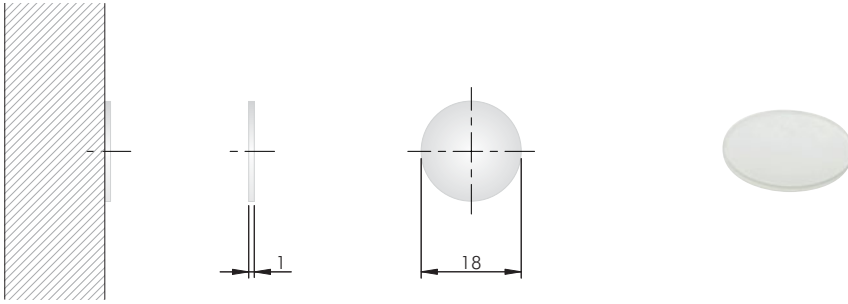


**23205150ZZ**



Part no. refers to 1 single door buffer.

NOTE: = on request



= 36 pcs.

EVA

100 pads = 3600 pcs.

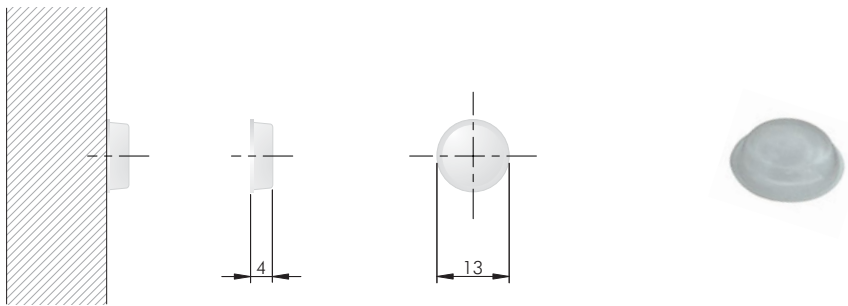


**23205160ZZ**



Part no. refers to 1 single door buffer.

NOTE: = on request



= 40 pcs.

EVA

100 pads = 4000 pcs.

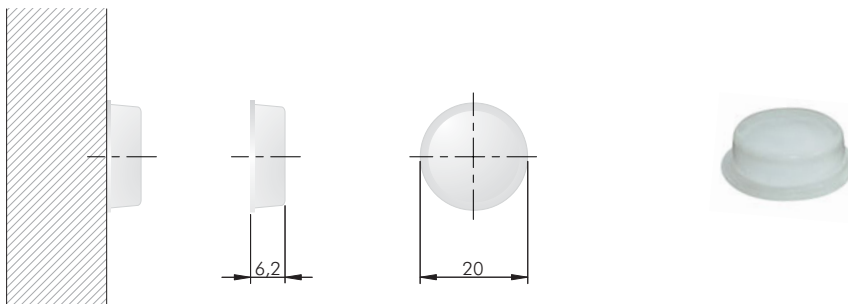


**23205050ZZ**



Part no. refers to 1 single door buffer.

NOTE: = on request



= 21 pcs.

EVA

67 pads = 1407 pcs.

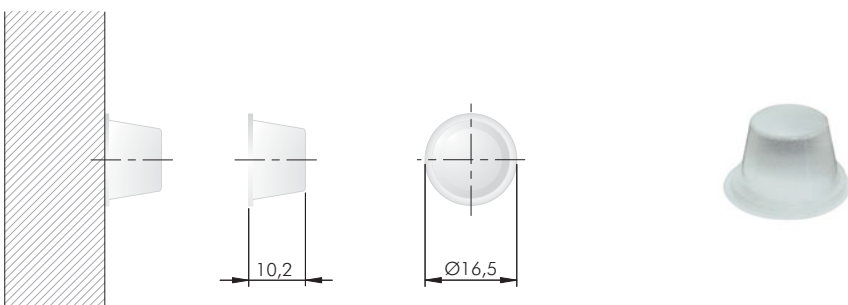


**23205170ZZ**



Part no. refers to 1 single door buffer.

NOTE: = on request



= 32 pcs.

EVA

40 pads = 1280 pcs.



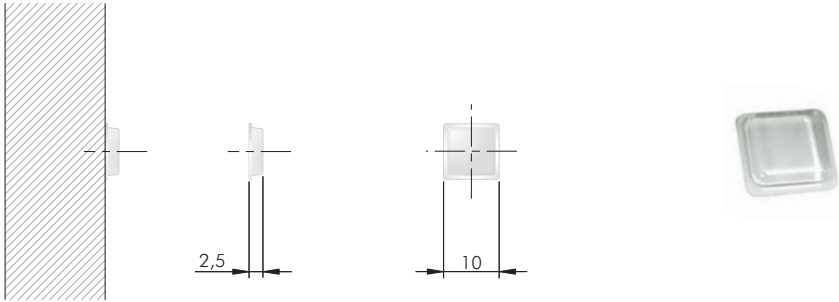
**23205180ZZ**








Part no. refers to 1 single door buffer.

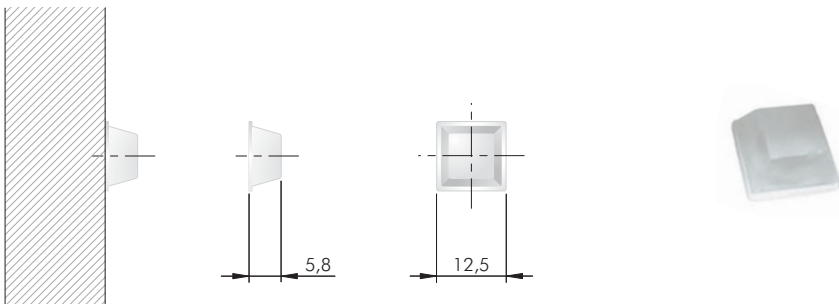
NOTE: = on request










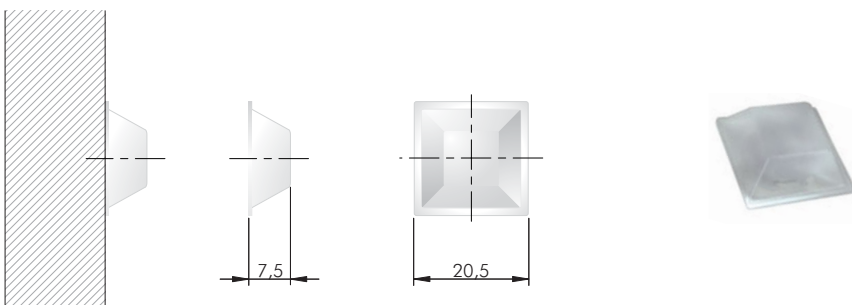

 = 55 pcs.  
 EVA  140 pads = 7700 pcs.  
 123  **23205190ZZ** Part no. refers to 1 single door buffer.






NOTE:  = on request



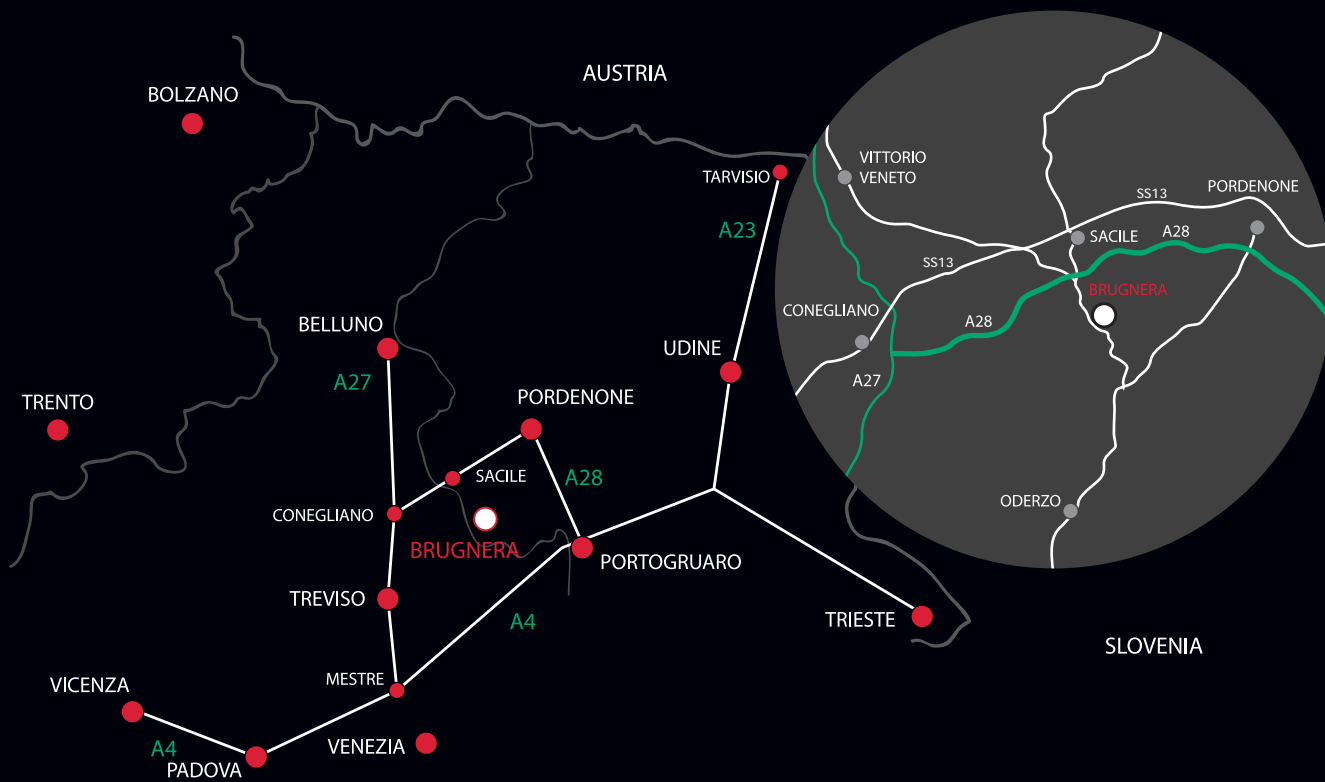

 = 40 pcs.  
 EVA  100 pads = 4000 pcs.  
 123  **23205200ZZ** Part no. refers to 1 single door buffer.

NOTE:  = on request




 = 18 pcs.  
 EVA  56 pads = 1008 pcs.  
 123  **23205210ZZ** Part no. refers to 1 single door buffer.

NOTE:  = on request



[www.italianaferramenta.it](http://www.italianaferramenta.it)