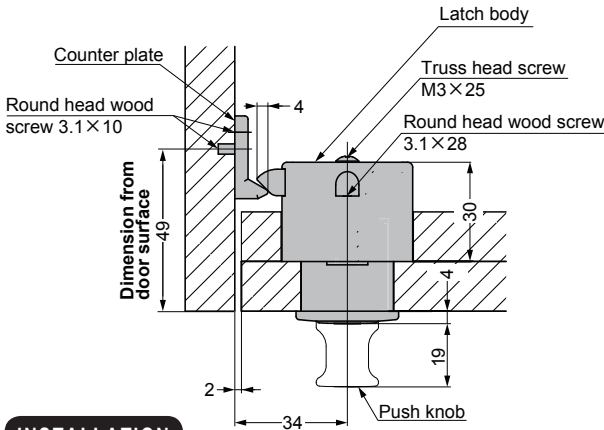


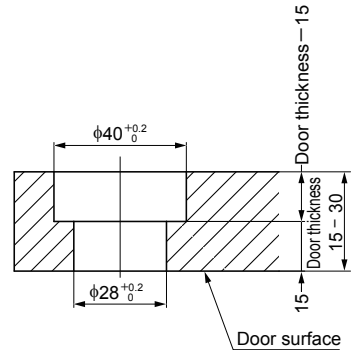
# LAMP® PUSH KNOB LATCH PKL-07, PKL-08 INSTALLATION MANUAL

Thank you for selecting our product. Before starting installation, please read this manual thoroughly to ensure correct installation. Please keep this manual at hand for future reference.

## DIMENSIONS

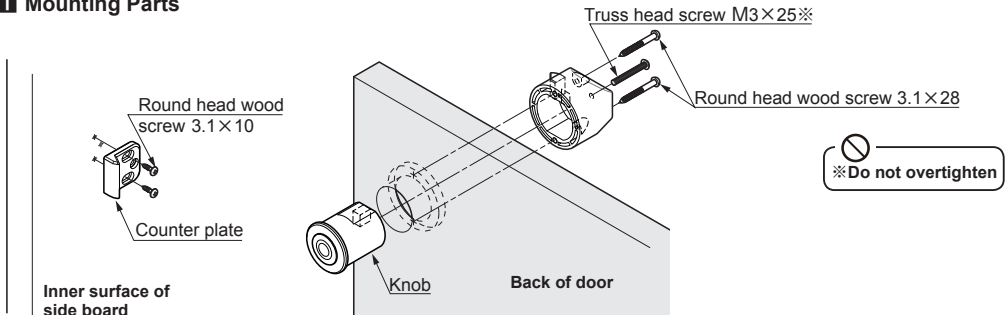


## DOOR PROCESS DIMENSIONS

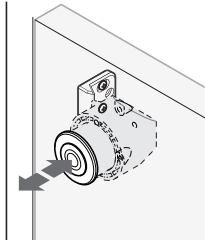


## INSTALLATION

### 1 Mounting Parts



### 2 Operation Check



Check if latch works properly while pushing the knob (once to lock, once again to unlock).

**!** Be sure to push the knob at closed position. Latch may be damaged if you close the door after pushing the knob.

### 3 Adjusting counter plate

Adjust the position so that the latch operation is smooth without backlash.



### 4 Fastening counter plate

With the round head wood screw fasten the plate through the round hole.

