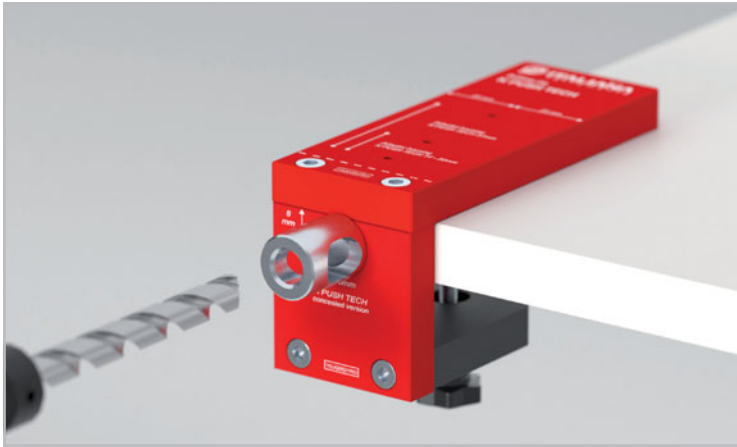


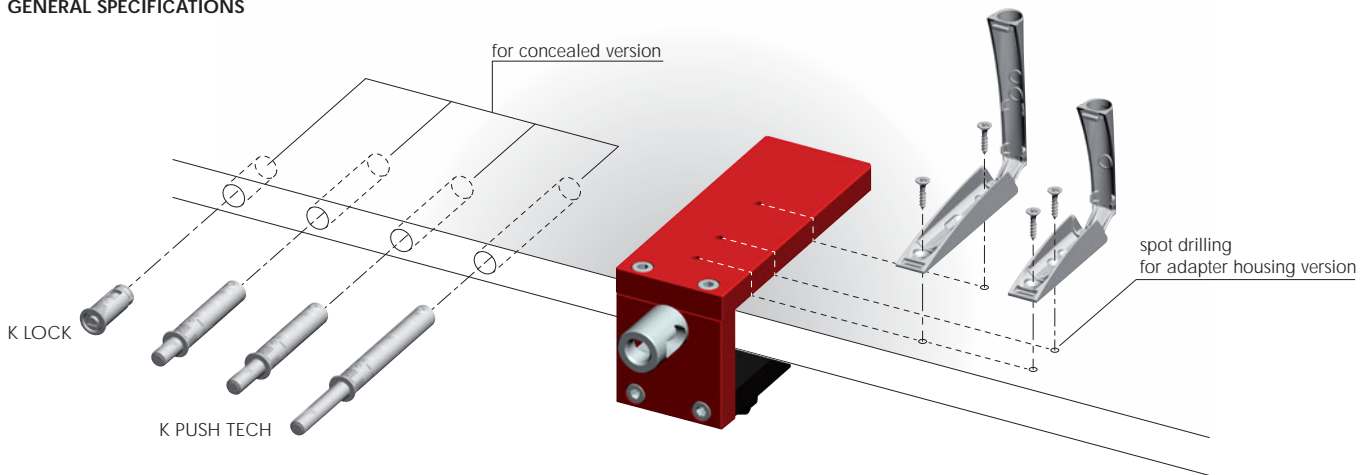


DRILLING JIG FOR K PUSH TECH

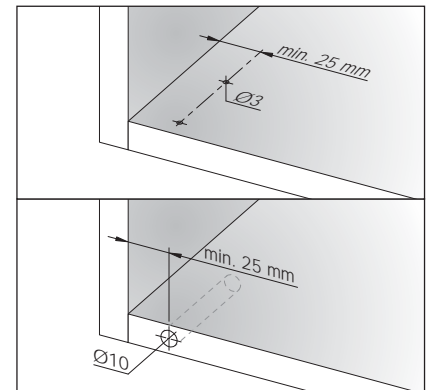
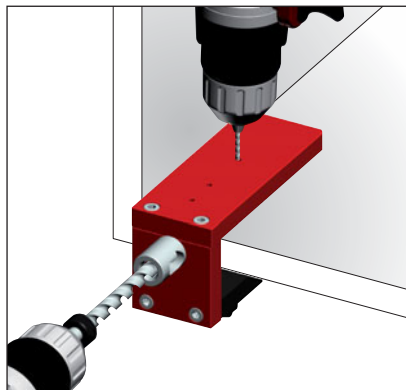
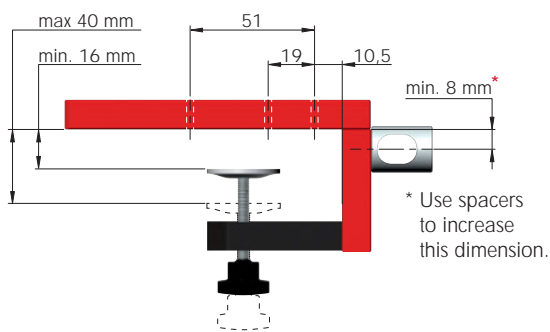


16 - 40 mm

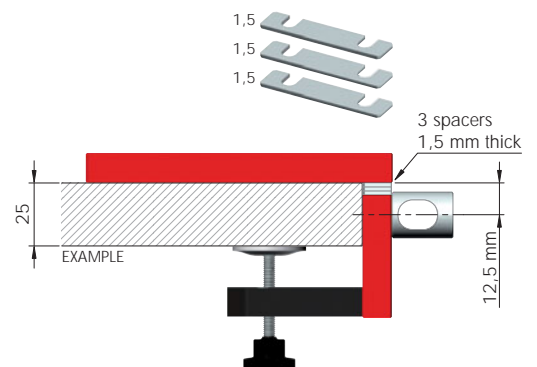
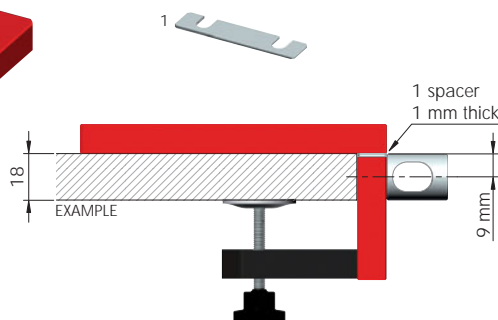
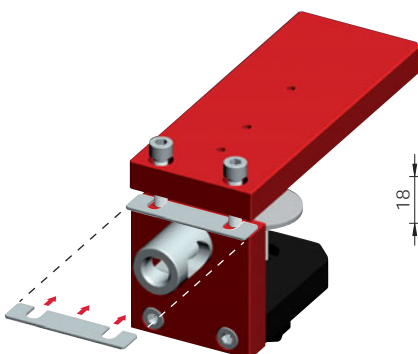
GENERAL SPECIFICATIONS



APPLICATION OPTIONS

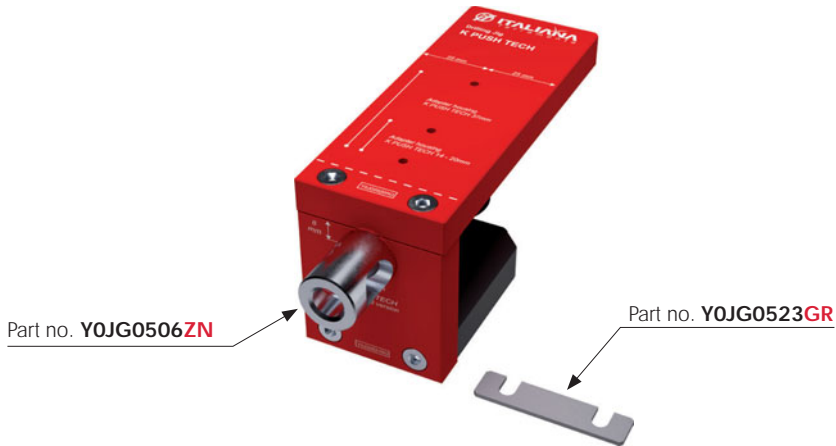


DRILLING SPACERS FOR OTHER PANEL THICKNESSES





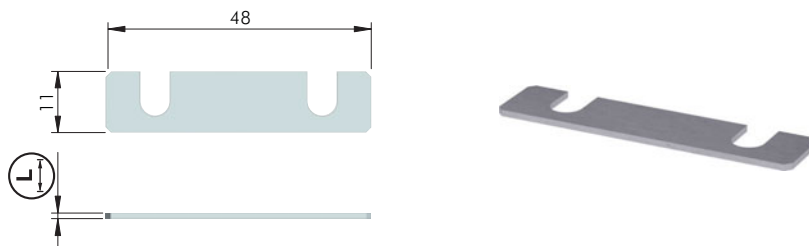
K PUSH TECH DRILLING JIG FOR PANEL THICKNESS 16 AND 18 mm



AL	ST	EP	= on request
YOJG0110RO			

NOTE: The product code includes all the components shown in the picture.

K PUSH TECH DRILLING JIG ACCESSORIES



AL	= on request
YOJG0523GR	1
YOJG0524GR	1,5

DRILLING JIG DEPTH STOP COLLARS



ST	= on request
YOJG051800	$\varnothing 10$

DRILL BIT



HSS	= on request
YOJG052900	

NOTE: For drilling jig we recommend to use precision-ground steel drill bit HSS-G.