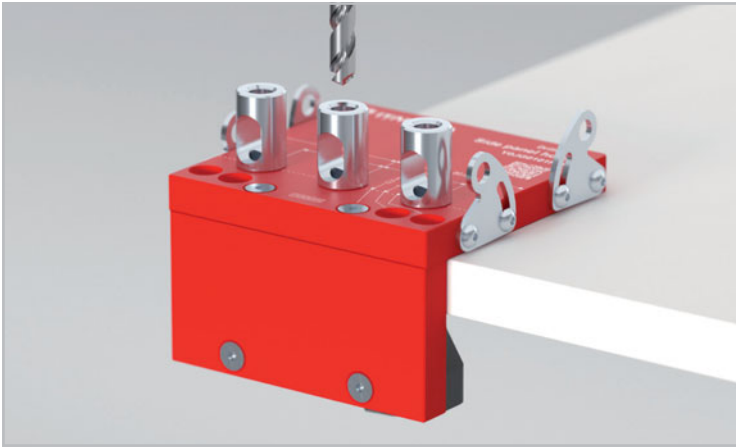


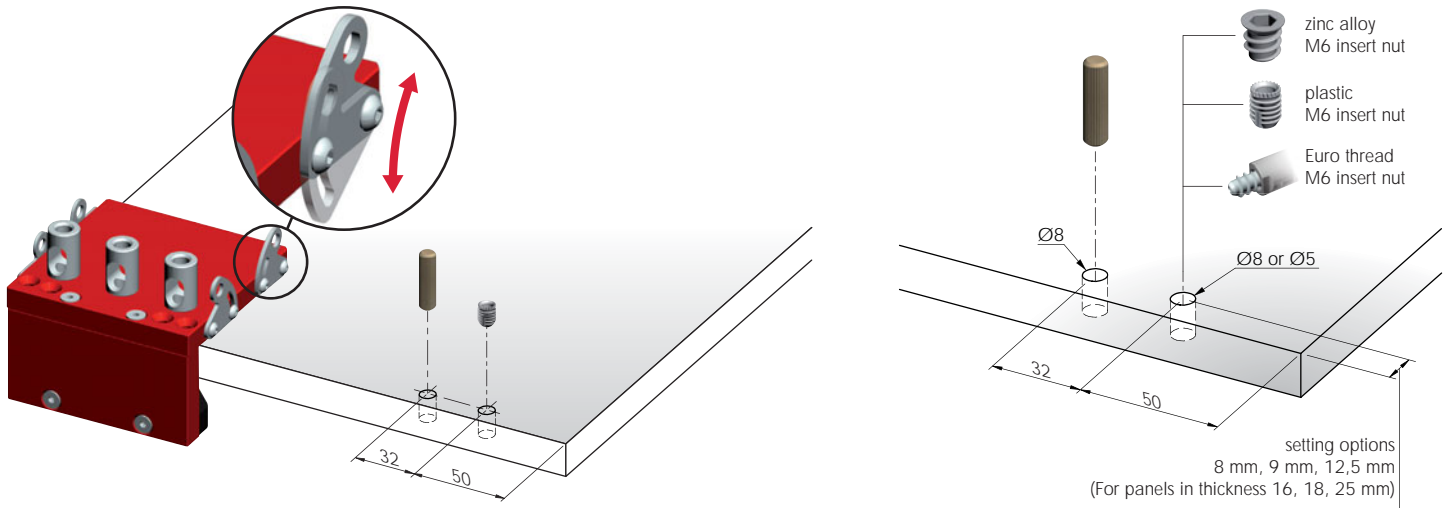


## DRILLING JIG FOR SIDE PANELS

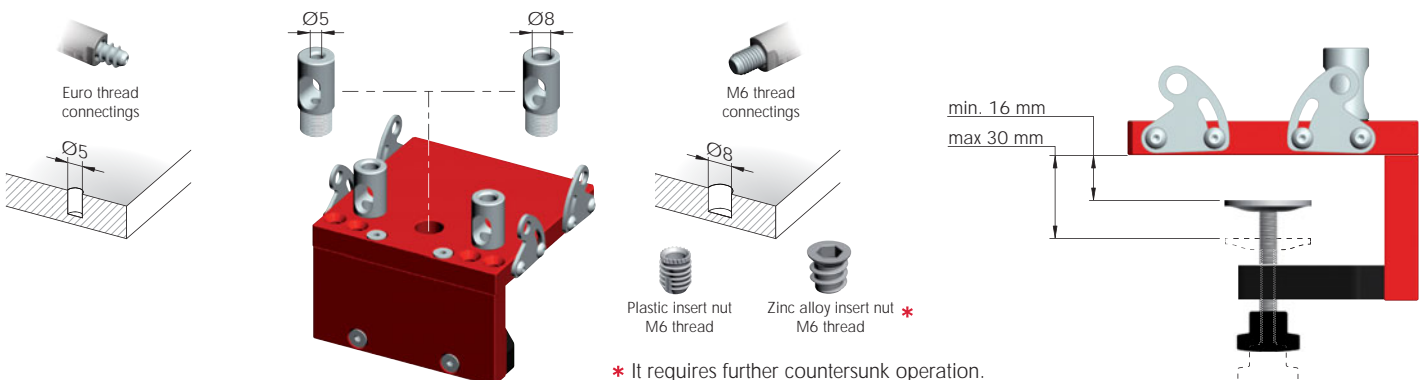
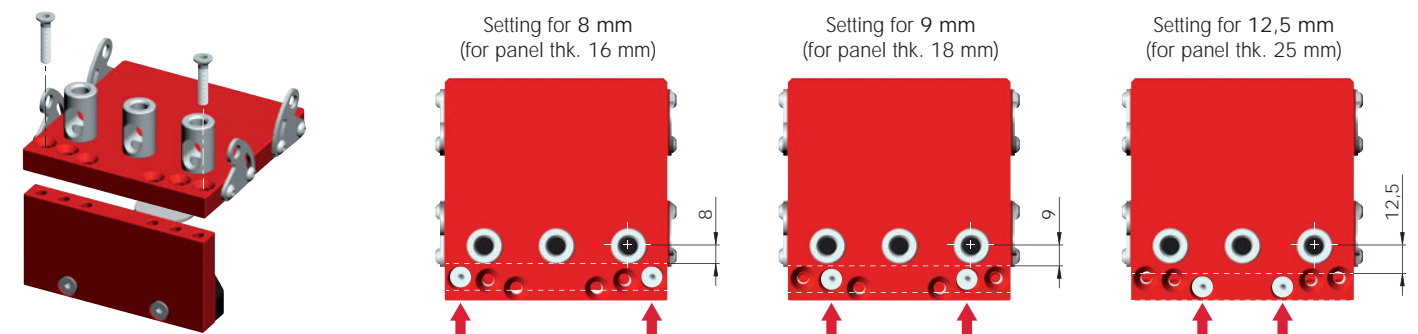


16 - 30 mm 

### GENERAL SPECIFICATIONS

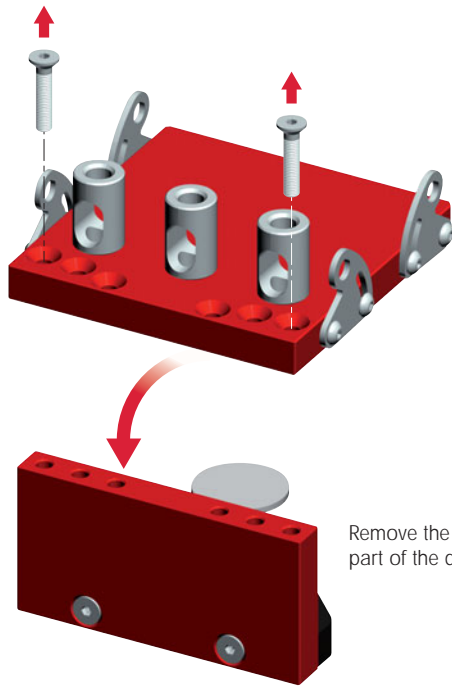


### APPLICATION OPTIONS

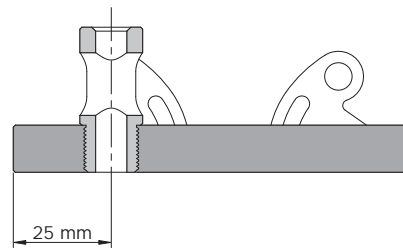
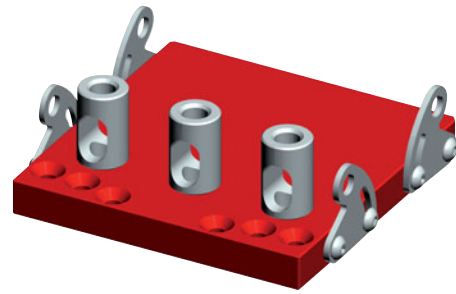




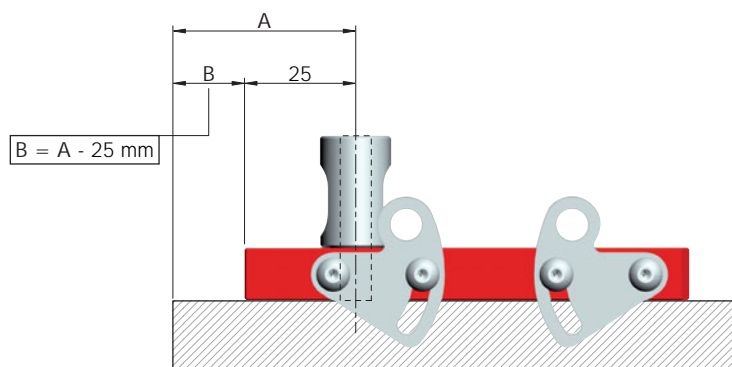
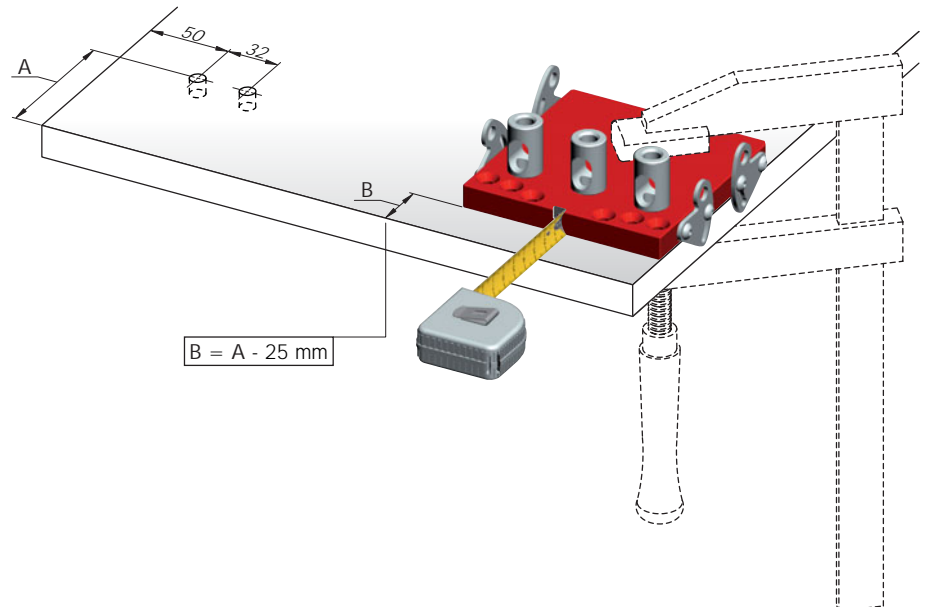
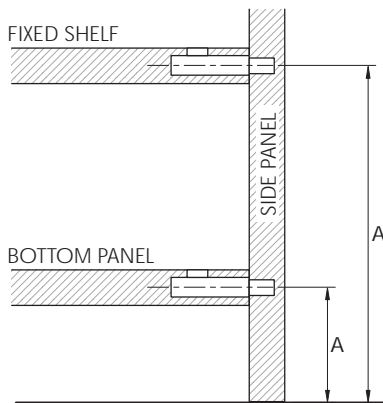
SETTING FOR ALTERNATIVE POSITIONS OF BOTTOM PANELS AND FIXED SHELVES



Remove the lower part of the drilling jig.



DRILLING JIG POSITIONING





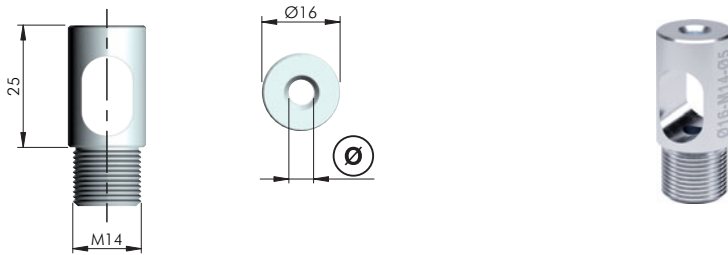
## DRILLING JIG FOR SIDE PANELS



AL	ST	EP	= on request
123			
<b>YOJG0101RO</b>			

NOTE: The product code includes all the components shown in the picture.

## DRILLING JIG FOR SIDE PANELS ACCESSORIES



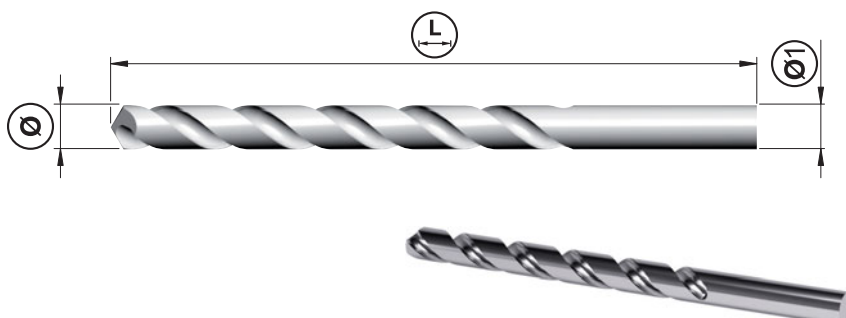
= M14			= on request
ST			
123			
<b>YOJG0509ZN</b>		Ø5	
<b>YOJG0510ZN</b>		Ø8	

## DRILLING JIG DEPTH STOP COLLARS



ST			= on request
123			
<b>YOJG051600</b>		Ø5	
<b>YOJG051700</b>		Ø8	

## DRILL BITS



HSS			= on request
123			
<b>YOJG052700</b>	Ø5	86	Ø5
<b>YOJG052800</b>	Ø8	117	Ø8

NOTE: For drilling jig we recommend to use precision-ground steel drill bit HSS-G.