

 **ITALIANA**[®]
f e r r a m e n t a

Kimana



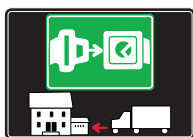
HINGES





SYMBOLS AND FINISHES LEGEND

SYMBOLS



= SHELF SAFELY LOCKED DURING TRANSPORTATION AND AT HOME.



= ANTI-TURNOVER LOCKING SYSTEM



= NORMS / PATENTS



= PHILLIPS / POZIDRIV



= WITH BUFFER



= PART NO.



= BLADE SLOT



= WITH MAGNET



= PCS. PER PACKAGE



= COMBI SLOT



= HEXAGONAL SOCKET



= NEWTON



= CAPACITY LOADING



= HEXALOBULAR SOCKET



= FRICTION



= WOOD / GLASS THICKNESS



= COUNTERSUNK HEAD



= AUTOMATIC



= HOLE DIAMETER



= PAN HEAD



= DROP DOWN



= DIAMETER



= FLANGE HEAD



= LENGTH



= FLAT HEAD



= STANDARD HINGE



= HEIGHT



= TRILOBULAR SCREW



= KIMANA HINGE



= RIGHT VERSION



= SELF-TAPPING SCREW



= FLAP HINGE



= LEFT VERSION



= EURO THREAD



= WITH SPRING



= SETTING CODE



= METRIC THREAD



= WITHOUT SPRING



= PCS. PER PAD



= PRE-INSERTED SCREW



= REVERSED SPRING



= CUT ON REQUEST



= PRE-INSERTED SCREW AND SPREADING BUSH
















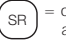









= SELF ADHESIVE



= WITH FLANGE

NOTE: Printing errors and omissions may exist despite our best efforts to ensure accuracy. We reserve the right to alter specifications without notice.

MATERIALS

 = Zinc Alloy	 = Steel	 = High Speed Steel	 = Brass	 = Acrylonitrile Butadiene Styrene
 = Nickel-plated Zinc Alloy	 = Zinc-plated Steel	 = Aluminium	 = Wood	 = Ethylene Vinyl Acetate
 = ENGINEERING PLASTIC		+  = other engineering plastic available on request		 = SOFT RUBBER
				+  = other soft rubber available on request
 = Natural Engineering Plastic	 = Clear Engineering Plastic	 = Natural Soft Rubber		
 = White Engineering Plastic	 = Grey Engineering Plastic	 = White Soft Rubber		
 = Water Green Engineering Plastic	 = Anthracite Engineering Plastic	 = Black Soft Rubber		



FINISHES



+ OTHER FINISHES AVAILABLE ON REQUEST

PART NO.	FINISHES	PART NO.	FINISHES	PART NO.	FINISHES
00	Insignificant finish	IF	Middle Grey	RO	Red
AA	Natural	IJ	Light Grey	UT	T-Met 9007
AB	White	IL	Grey 20	UZ	T-Met
AE	White 9010	IN	Grey met. 26	WA	Bronzed
EA	Black	JB	Bright Aluminium	WI	Burnished
EC	Matt Black	JC	Aluminium - Chrome	XD	Satin-finished Steel
EE	Anthracite	JD	Matt Aluminium	YA	Nickel-plated
EW	Grey 9007	JE	Satin-finished Aluminium	YB	Bright Nickel-plated
FU	Gunmetal	JF	Aluminium - Brass	YC	Matt Nickel-plated
FV	Gunmetal V52	JG	Aluminium 5	YD	Satin-finished Nickel-plated
GR	Raw	JL	Aluminium PE 11	YQ	Black Nickel
HA	Brass-Plated	JM	Aluminium RAL 9006	Z9	Black Zinc
HH	Tropicalized	KA	Chrome	ZA	Zinc alloy
HL	Raw Brass	KB	Bright Chrome	ZN	Zinc-plated
HX	Graphite	KC	Matt Chrome	ZQ	Bright Gold
IA	Grey	LD	Brown 8019	ZY	Titanium
IB	Metallic Grey	NN	Metallic Beige	ZZ	Clear



KIMANA

KIMANA is a flat hinge to open and close flap and drop-down doors. Provided with a unique and exclusive movement, it allows to open cabinet doors in column, even when the cabinet bottom lies upon another panel or the cabinet top is surmounted by a decorative/lighting panel.

The small dimensions (Ø 26mm boring for both the door and the bottom), the minimalistic and elegant design contribute to make KIMANA not only a functional hinge, but also a product unique in its genre.

The fixing screws are perpendicular, thus making KIMANA suitable for perfect positioning, as well as for aluminium profiles. KIMANA can be easily adjusted through the screws (PZ2) which are hidden underneath the cover.

Various door and cabinet thickness-combinations can be solutioned either by carrying out the adjustments of the KIMANA or by adding adapters under the hinge clip so that the ideal movement and alignment of the door are guaranteed.

Available in three finishes: standard nickel-plated, black-nickel plated and varnished in graphite colour.

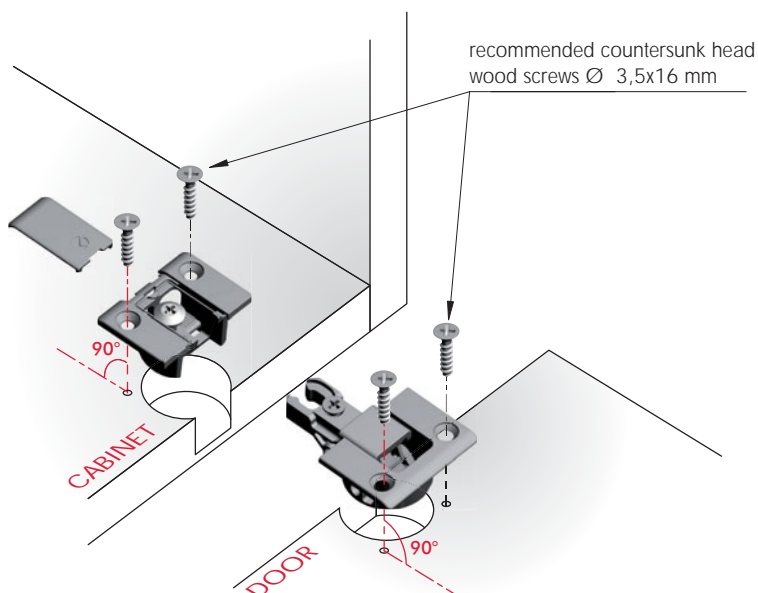
For each finish, matching fixing countersunk screws can be provided.



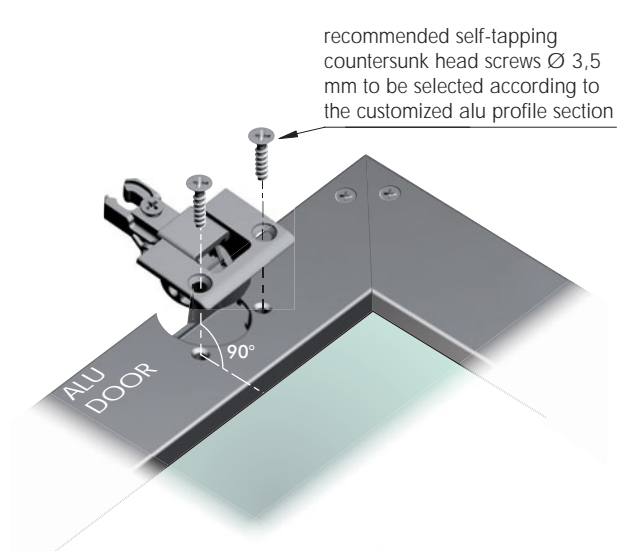
GOOD DESIGN AWARD, 2012

PAT. PENDING
REGISTERED DESIGN
Specifications available on request.

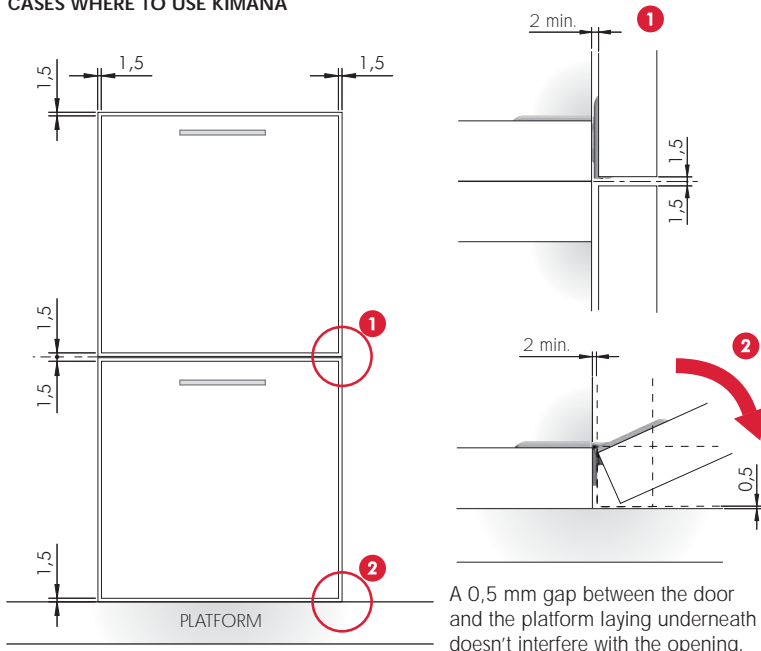
INSTALLATION ON UNIT WITH SOLID DOOR (Application shown for minimum thickness 18 mm)



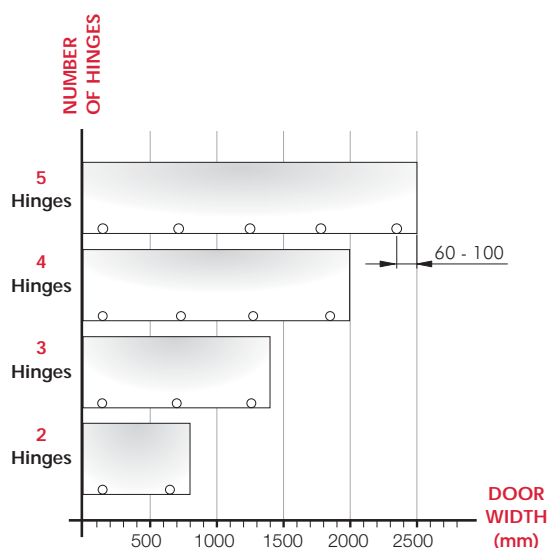
INSTALLATION ON UNIT WITH ALUMINIUM DOOR (Application shown for minimum thickness 18 mm)



CASES WHERE TO USE KIMANA



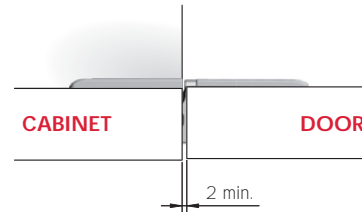
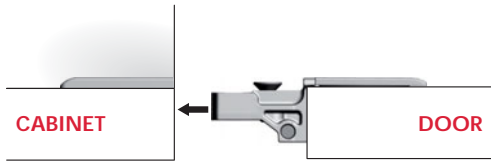
RECOMMENDED NUMBER OF KIMANA PER DOOR



Due to various factors, the quantities stated in the chart are indicative.

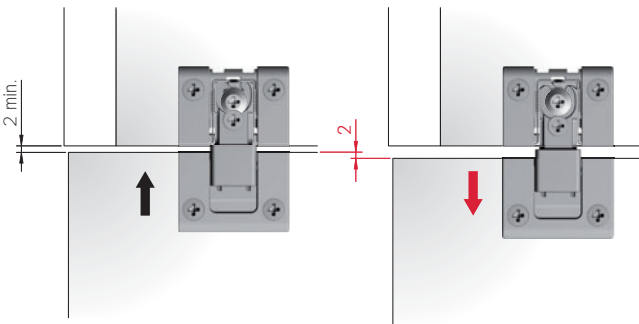


DOOR INSTALLATION



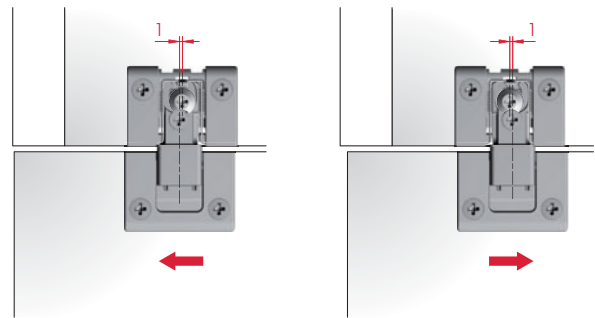
IN-DEPTH ADJUSTMENT 0+2 mm

⚠ TO BE MADE BEFORE LOCKING SCREW OPERATION ⚠



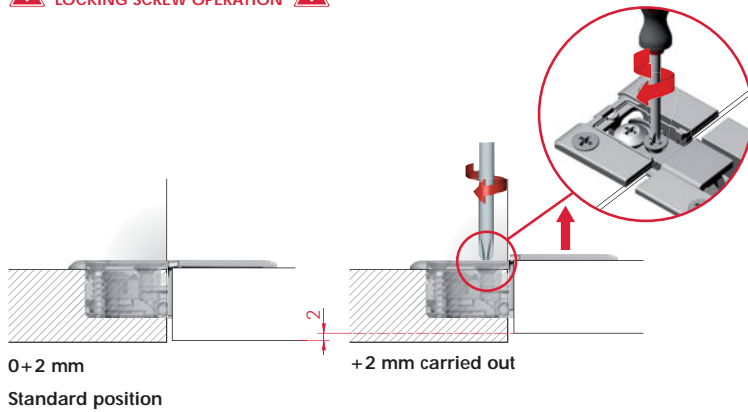
LATERAL ADJUSTMENT 0±1 mm

⚠ TO BE MADE BEFORE LOCKING SCREW OPERATION ⚠

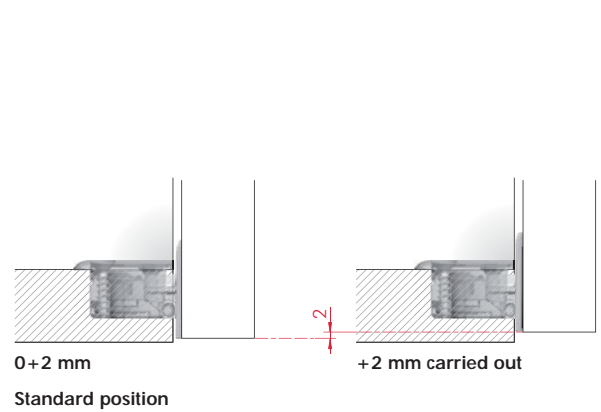


VERTICAL ADJUSTMENT 0+2 mm - DOOR OPEN

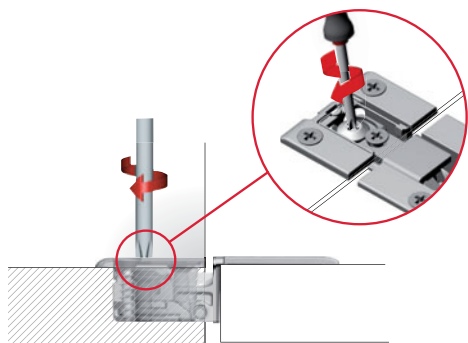
⚠ TO BE MADE BEFORE LOCKING SCREW OPERATION ⚠



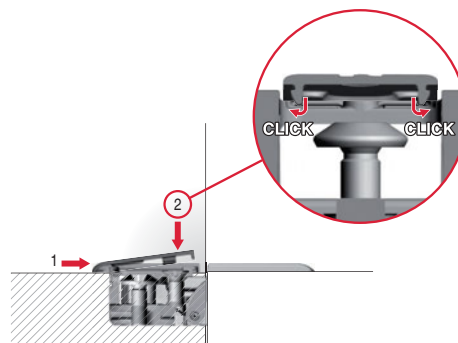
VERTICAL ADJUSTMENT 0+2 mm - DOOR CLOSED



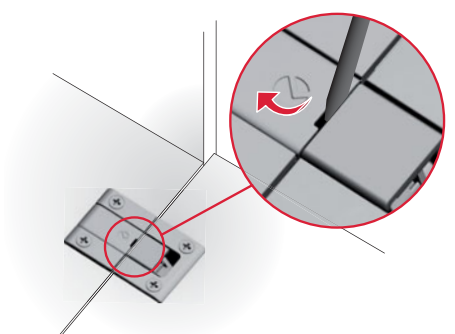
LOCKING SCREW

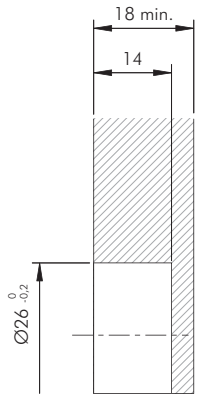


COVER CAP INSERTION

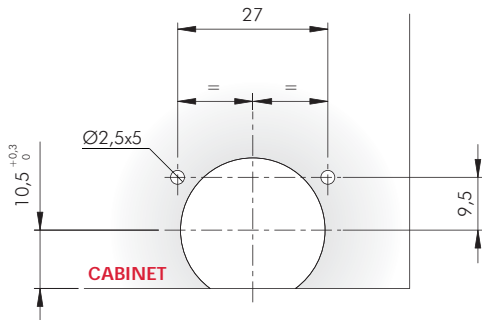


COVER CAP REMOVAL



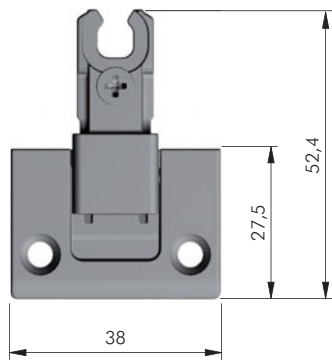
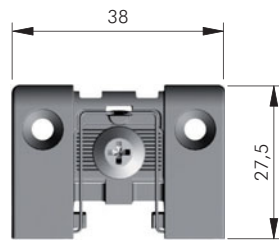


NOTE: For panel thickness lower than 18 mm, refer to "KIMANA ADAPTERS".



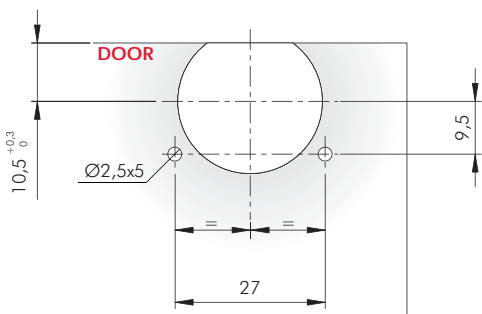
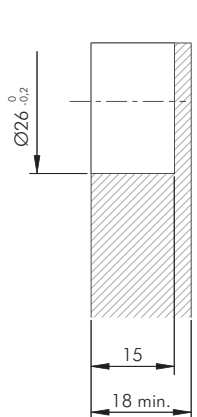
= 150 pcs.

40120000YA
40120000HX
40120000YQ

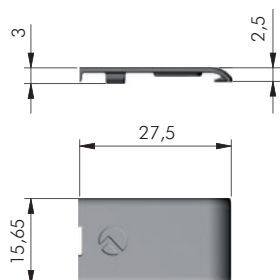


= 150 pcs.

40120010YA
40120010HX
40120010YQ



NOTE: For panel thickness lower than 18 mm, refer to "KIMANA ADAPTERS".

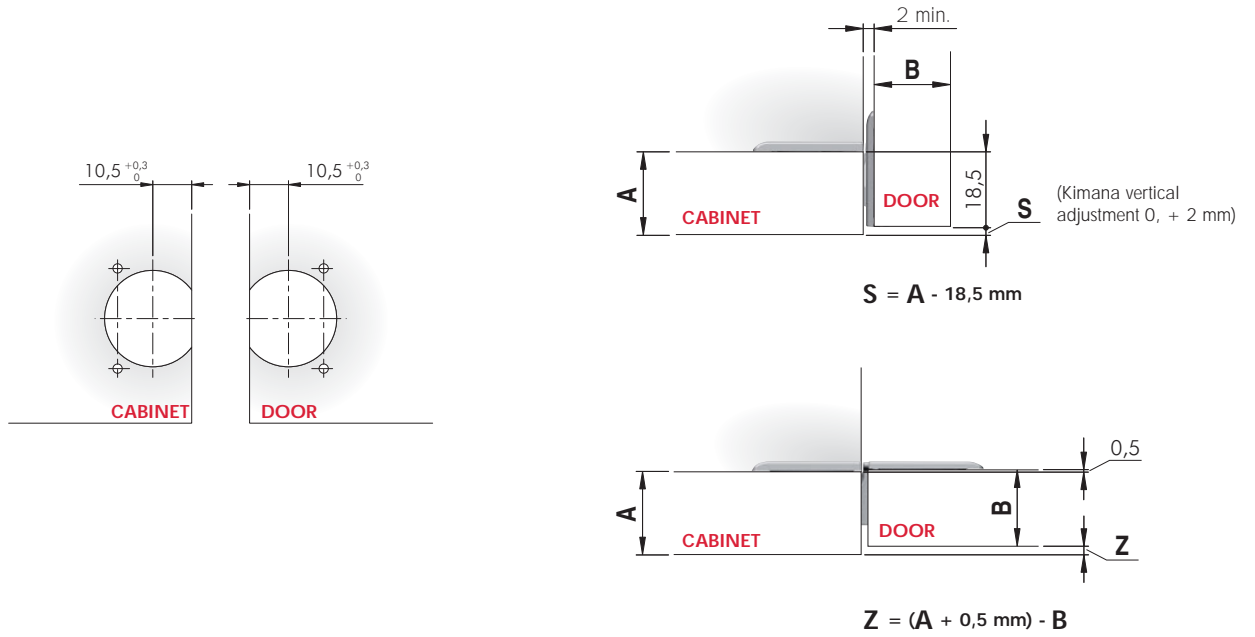


= 150 pcs.

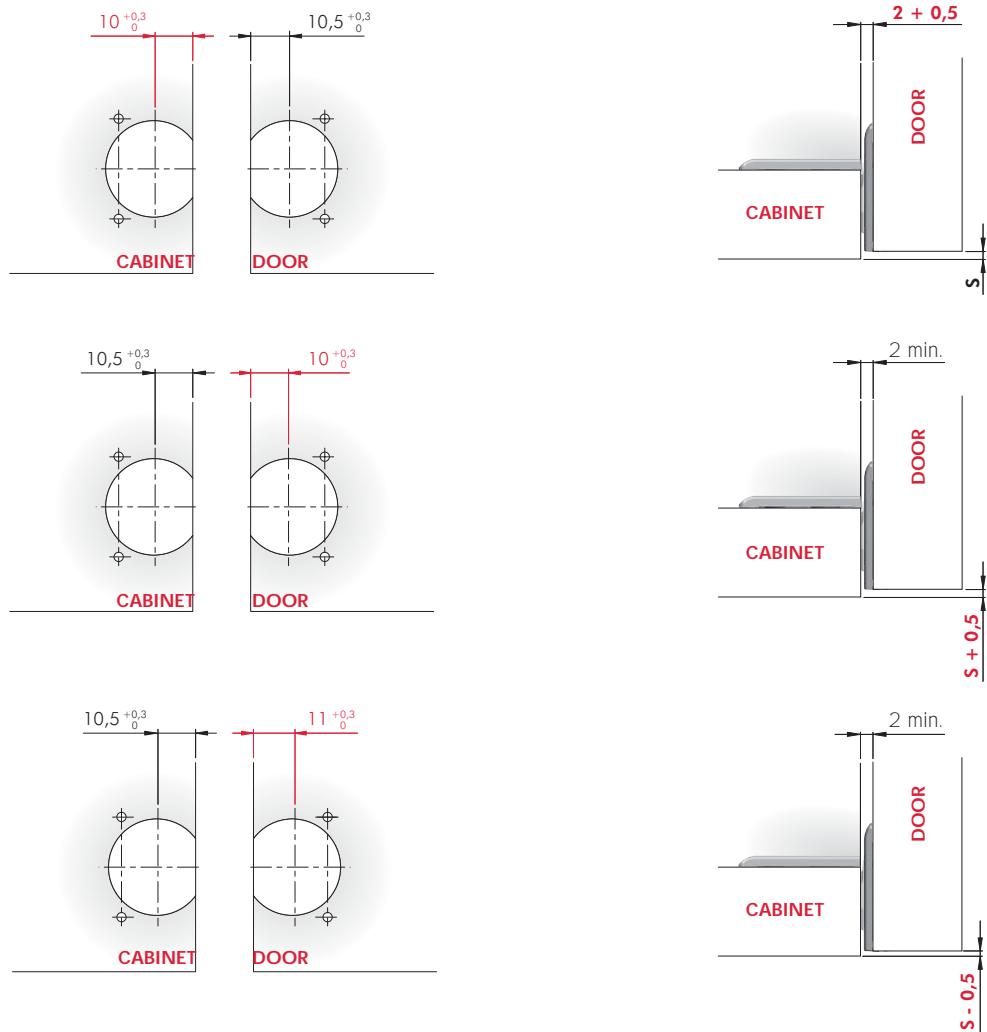
40120040YA
40120040HX
40120040YQ



STANDARD CONDITION



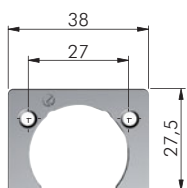
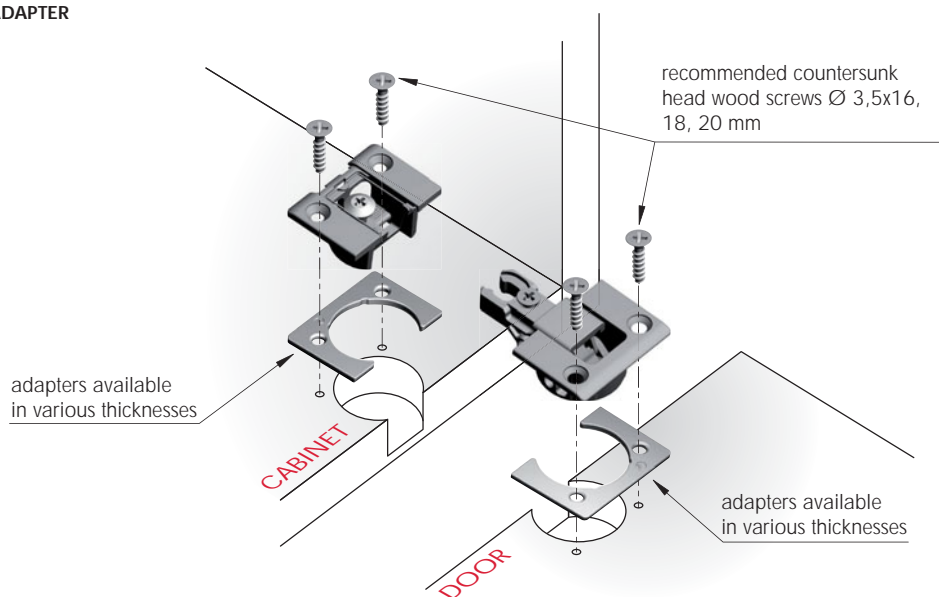
SPECIAL DRILLING PLAN TO MANAGE OVERLAY AND GAP BETWEEN DOOR AND CABINET





KIMANA ADAPTERS

INSTALLATION WITH ADAPTER



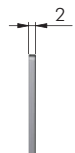
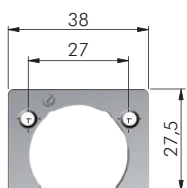
ZA



= on request



40115320YA



ZA



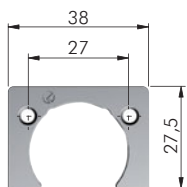
= on request



40115340YA

40115340HX

40115340YQ



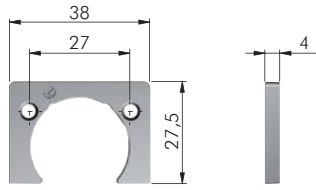
ZA



= on request



40115360YA

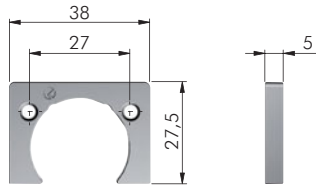


ZA

= on request



40115400YA



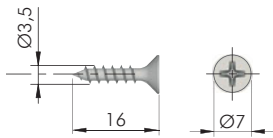
ZA

= on request



40115440YA

FIXING ACCESSORY FOR BOTH KIMANA AND ADAPTERS PART NO. 40115320



= Ø 2,5 mm

+

= PZ2

ST

= 10.000 pcs.

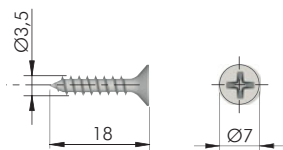


60101390YA

60101390HX

60101390Z9

FIXING ACCESSORY FOR KIMANA ADAPTERS PART NO. 40115340 - 40115360



= Ø 2,5 mm

+

= PZ2

ST

= 10.000 pcs.



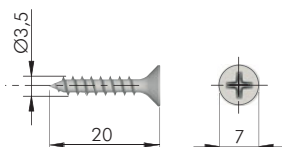
60101400YA

60101400HX

60101400Z9



FIXING ACCESSORY FOR KIMANA ADAPTER PART NO. 40115400 - 40115440

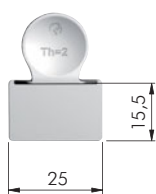
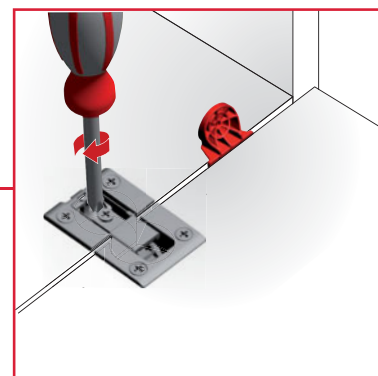
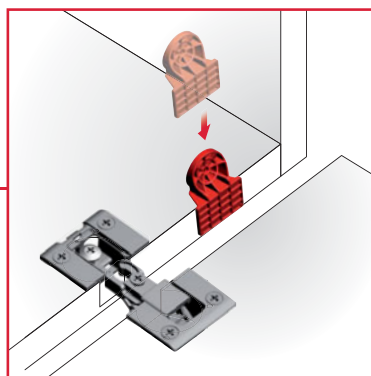
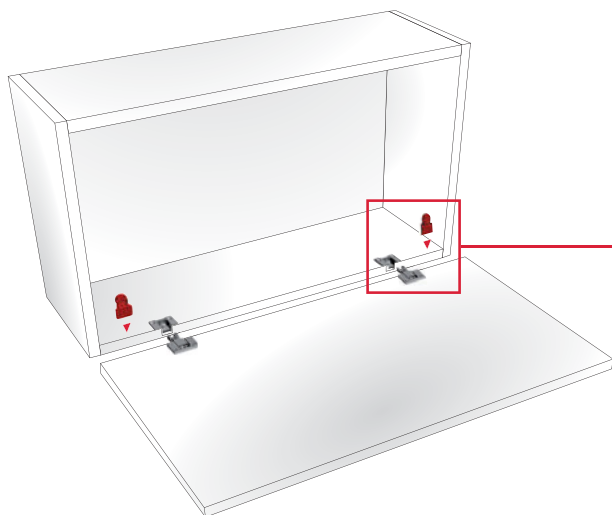


	= Ø 2,5 mm		
			= PZ2
ST			= 10.000 pcs.



60101410YA

DOOR ALIGNMENT SPACER FOR KIMANA HINGES



EP		= on request
----	--	--------------



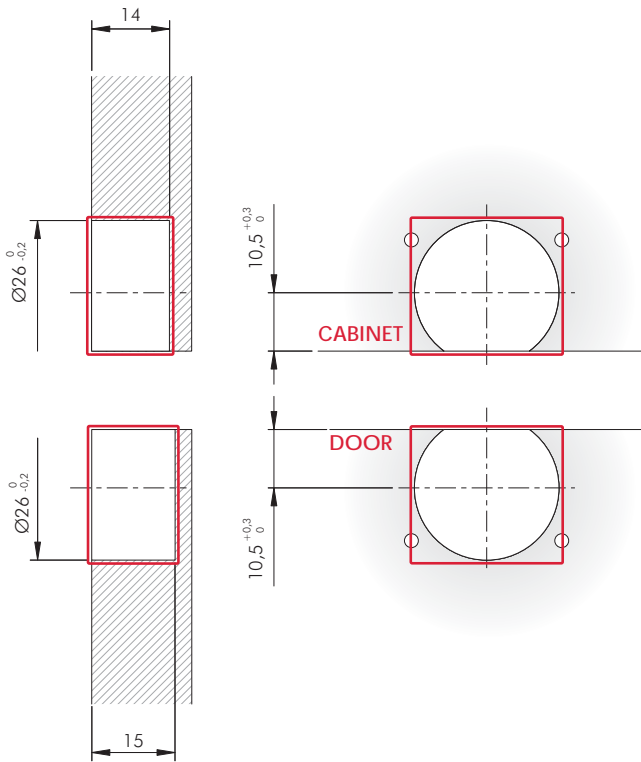
40115630RO

2 pcs featured in each polybag.

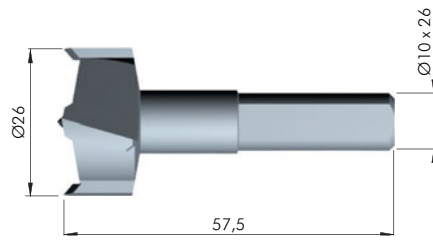
* For non-standard drilling plans 1,5, 2,5, 3 and 4 mm spacers are also available.

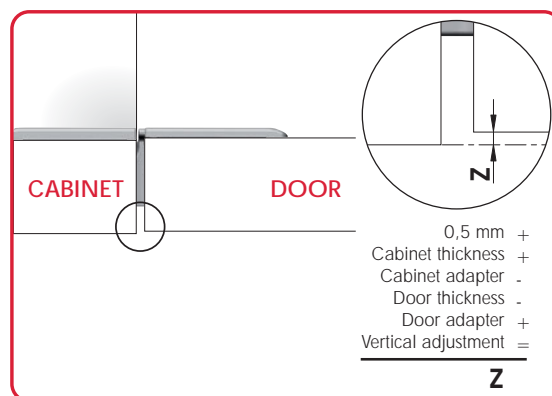
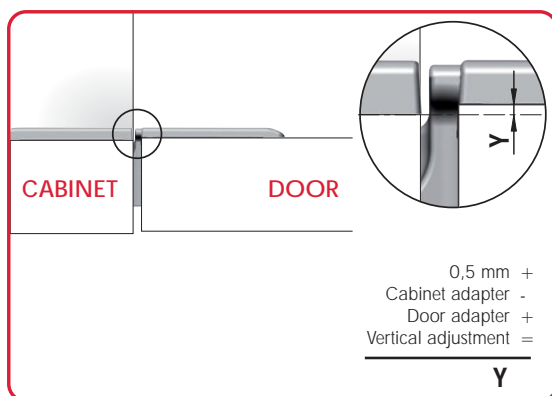
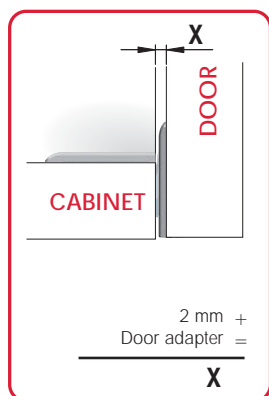


DRILL BIT FOR KIMANA



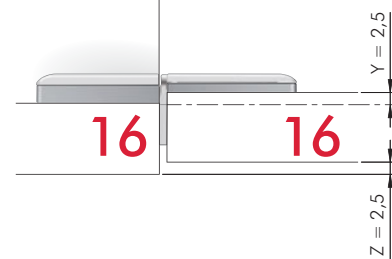
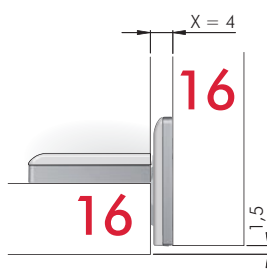
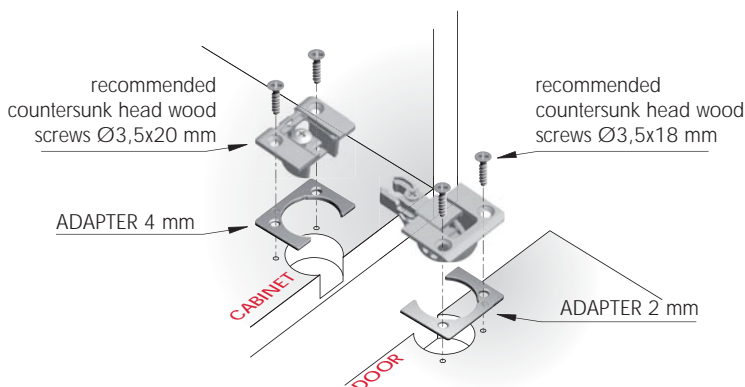
HSS	= on request
123	
6270101000	





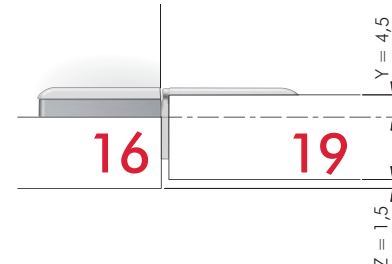
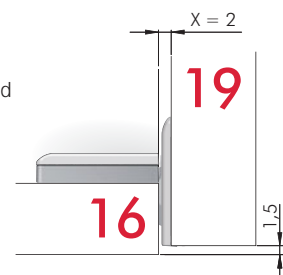
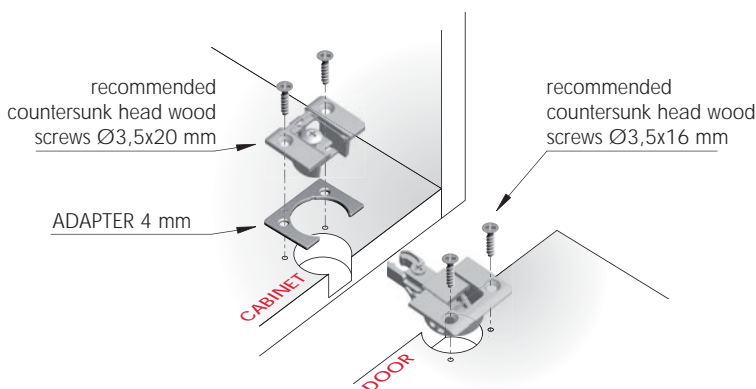
CABINET 16 mm WITH ADAPTER 4 mm THICK - DOOR 16 mm WITH ADAPTER 2 mm THICK

0 + 2 mm FURTHER VERTICAL ADJUSTMENT



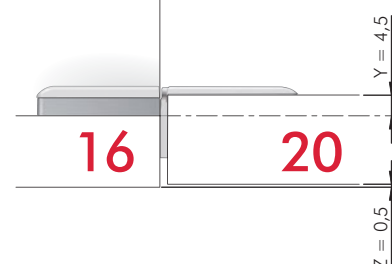
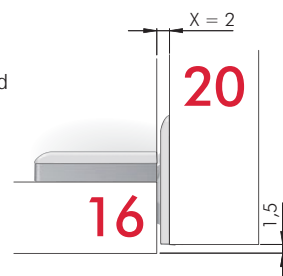
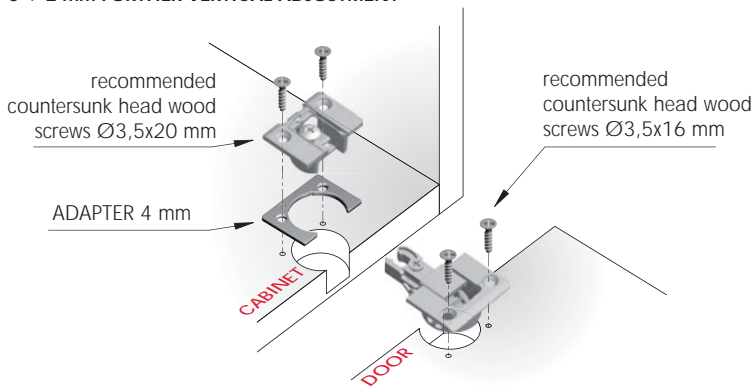
CABINET 16 mm WITH ADAPTER 4 mm THICK - DOOR 19 mm WITHOUT ADAPTER

0 + 2 mm FURTHER VERTICAL ADJUSTMENT



CABINET 16 mm WITH ADAPTER 4 mm THICK - DOOR 20 mm WITHOUT ADAPTER

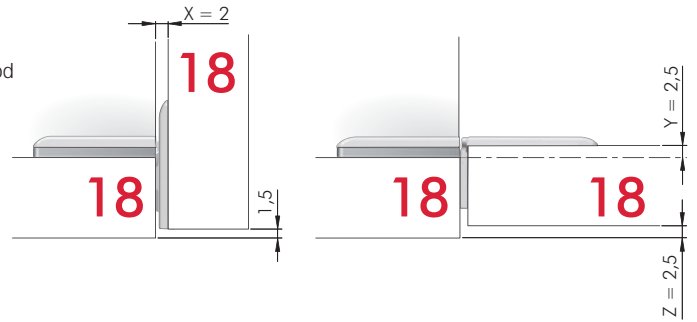
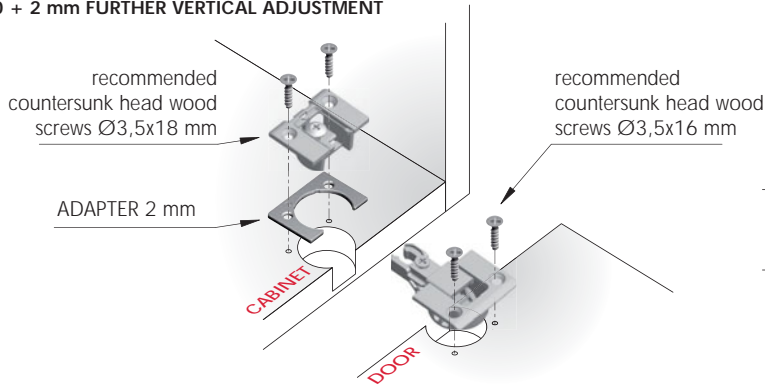
0 + 2 mm FURTHER VERTICAL ADJUSTMENT





CABINET 18 mm WITH ADAPTER 2 mm THICK - DOOR 18 mm WITHOUT ADAPTER

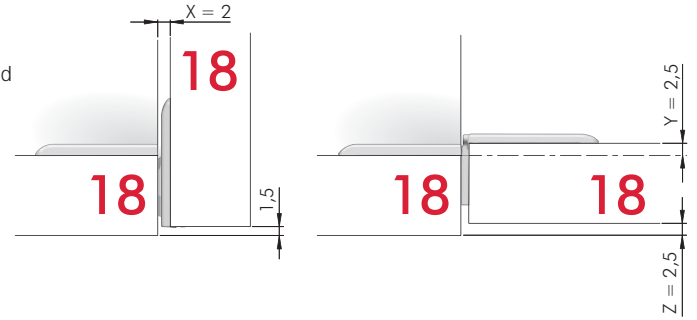
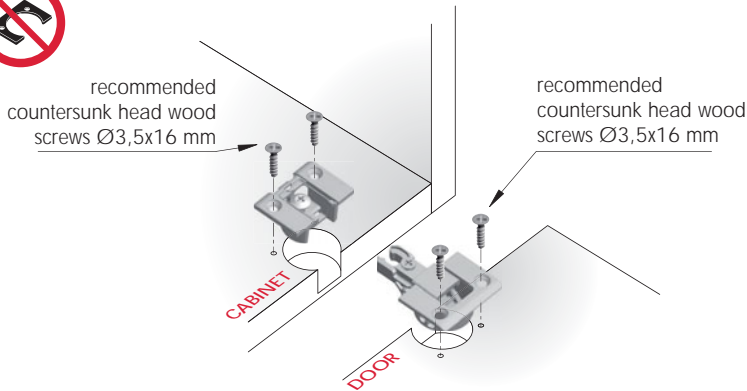
0 + 2 mm FURTHER VERTICAL ADJUSTMENT



CABINET 18 mm WITHOUT ADAPTER - DOOR 18 mm WITHOUT ADAPTER

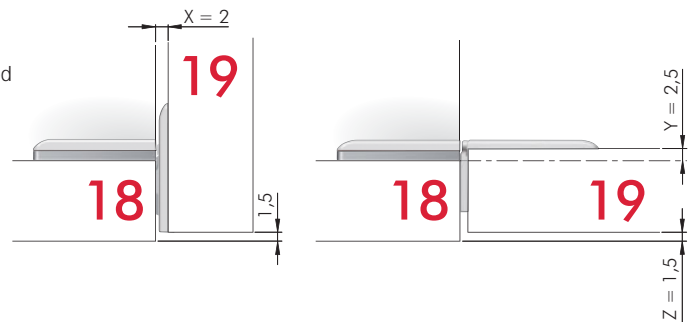
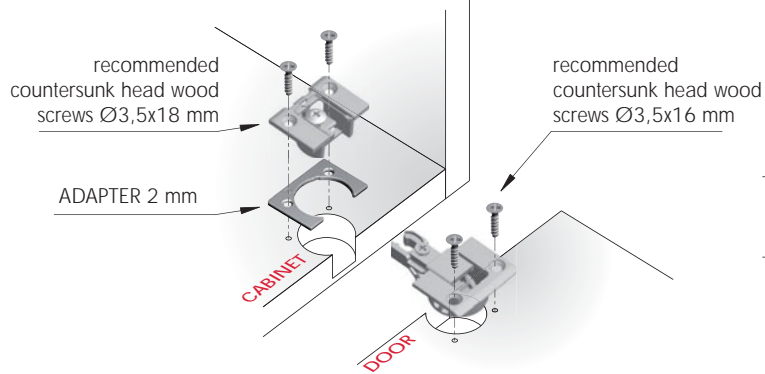


WITH VERTICAL ADJUSTMENT + 2 mm CARRIED OUT



CABINET 18 mm WITH ADAPTER 2 mm THICK - DOOR 19 mm WITHOUT ADAPTER

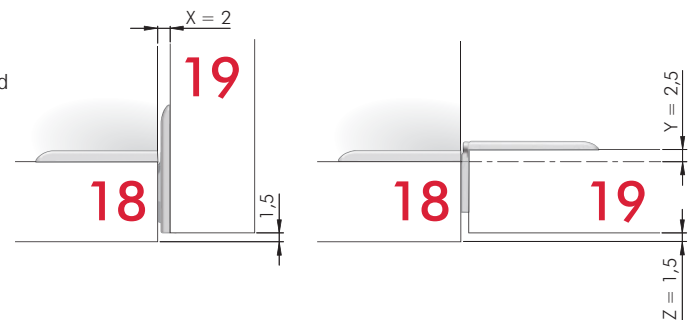
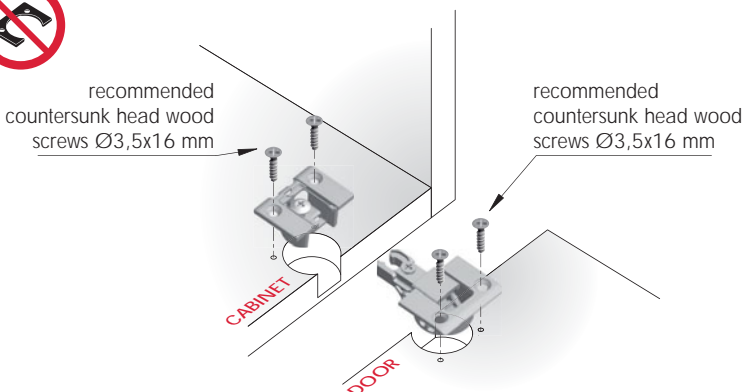
0 + 2 mm FURTHER VERTICAL ADJUSTMENT



CABINET 18 mm WITHOUT ADAPTER - DOOR 19 mm WITHOUT ADAPTER



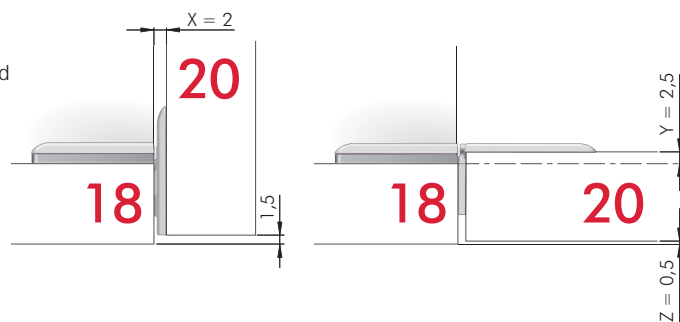
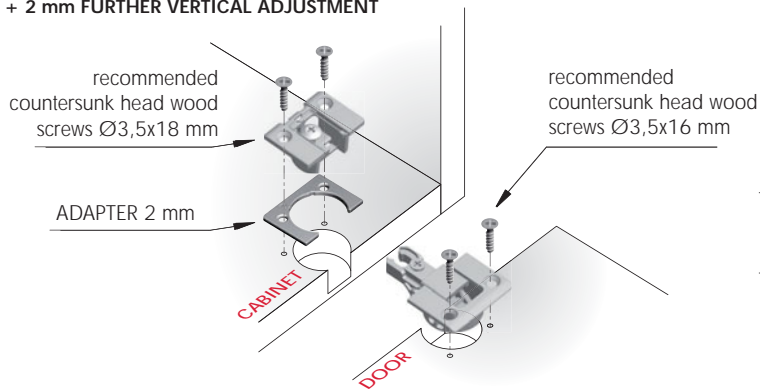
WITH VERTICAL ADJUSTMENT + 2 mm CARRIED OUT





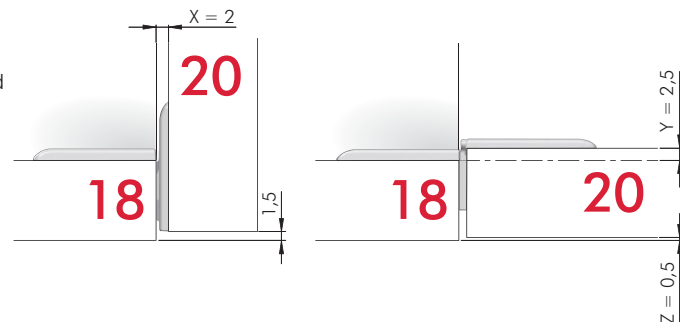
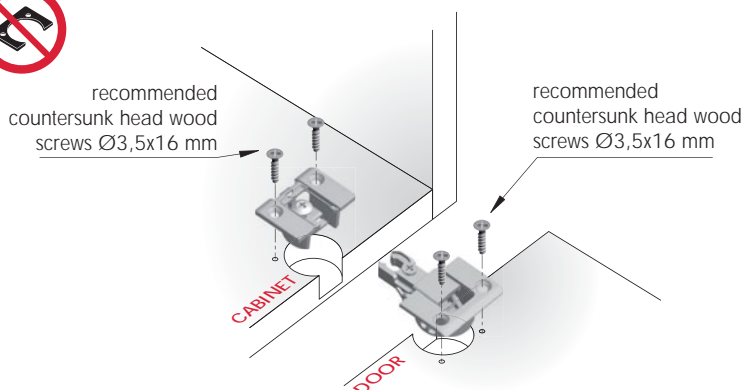
CABINET 18 mm WITH ADAPTER 2 mm THICK - DOOR 20 mm WITHOUT ADAPTER

0 + 2 mm FURTHER VERTICAL ADJUSTMENT



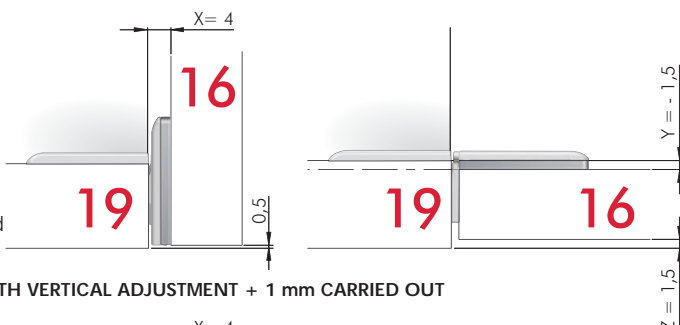
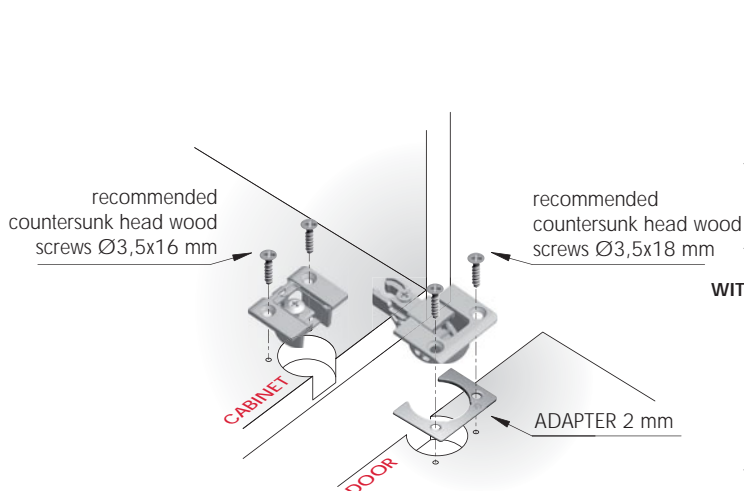
CABINET 18 mm WITHOUT ADAPTER - DOOR 20 mm WITHOUT ADAPTER

WITH VERTICAL ADJUSTMENT + 2 mm CARRIED OUT

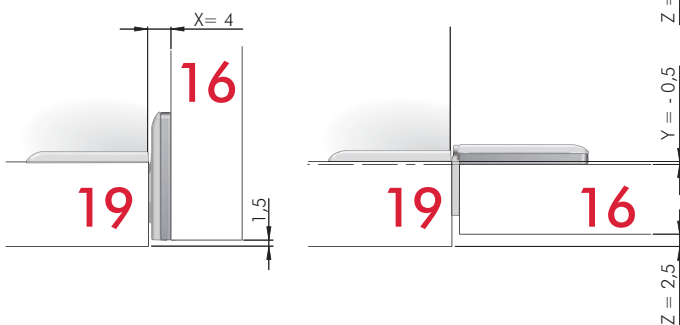


CABINET 19 mm WITHOUT ADAPTER - DOOR 16 mm WITH ADAPTER 2 mm THICK

0 + 2 mm FURTHER VERTICAL ADJUSTMENT

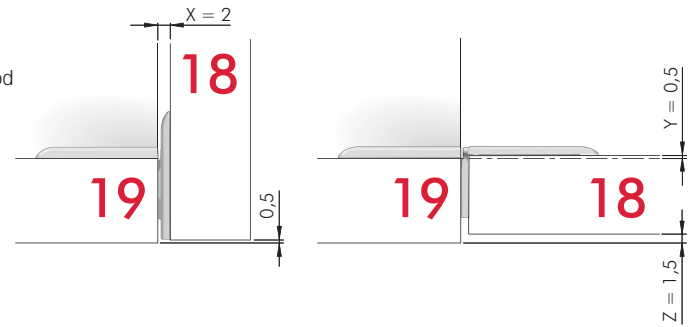
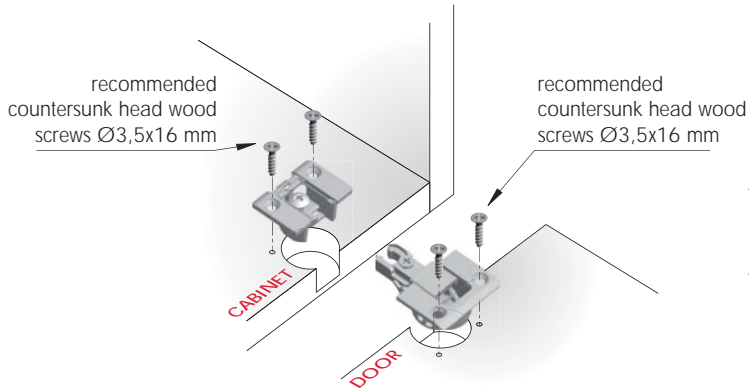


WITH VERTICAL ADJUSTMENT + 1 mm CARRIED OUT

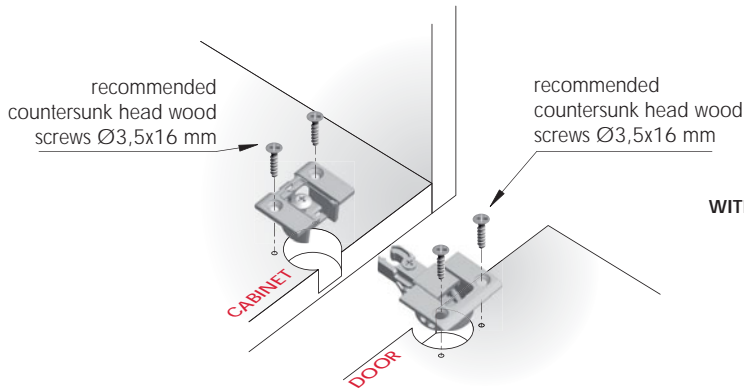




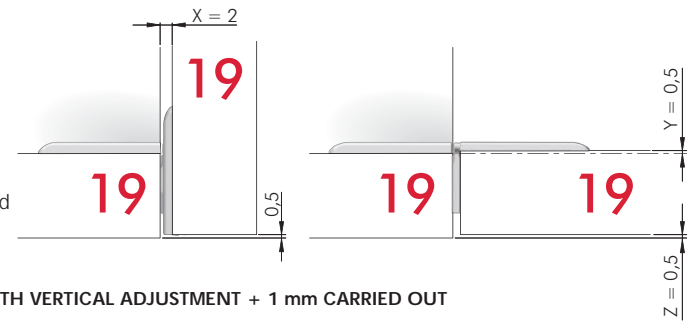
CABINET 19 mm WITHOUT ADAPTER - DOOR 18 mm WITHOUT ADAPTER



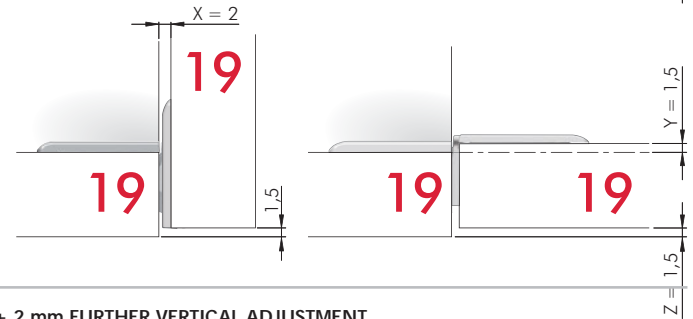
CABINET 19 mm WITHOUT ADAPTER - DOOR 19 mm WITHOUT ADAPTER



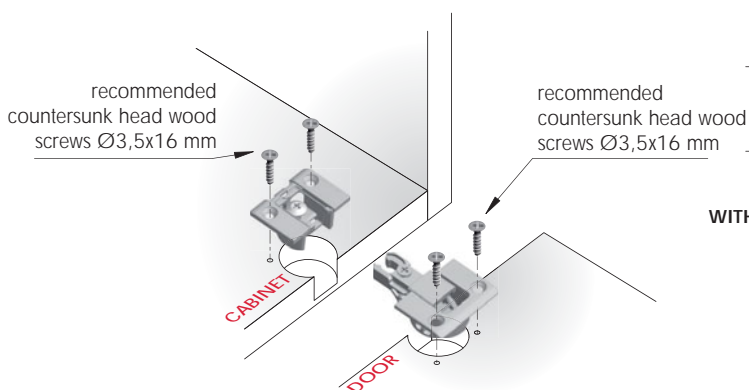
0 + 2 mm FURTHER VERTICAL ADJUSTMENT



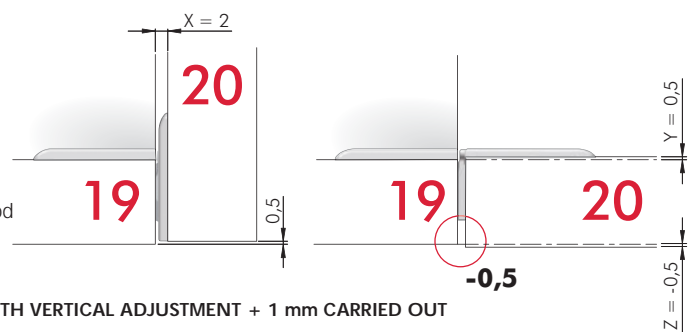
WITH VERTICAL ADJUSTMENT + 1 mm CARRIED OUT



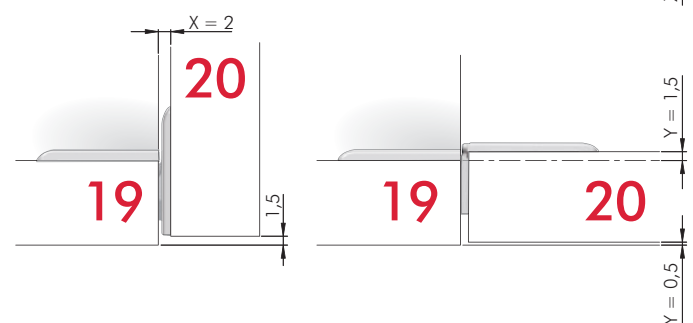
CABINET 19 mm WITHOUT ADAPTER - DOOR 20 mm WITHOUT ADAPTER



0 + 2 mm FURTHER VERTICAL ADJUSTMENT



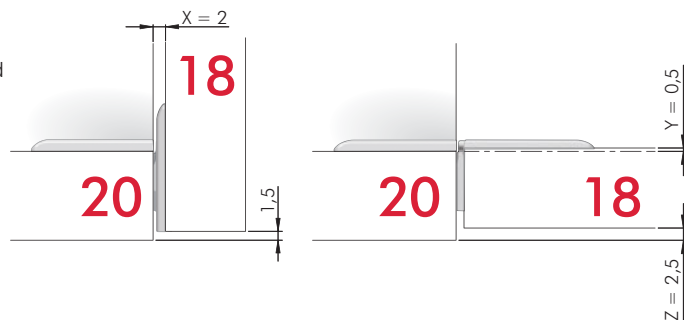
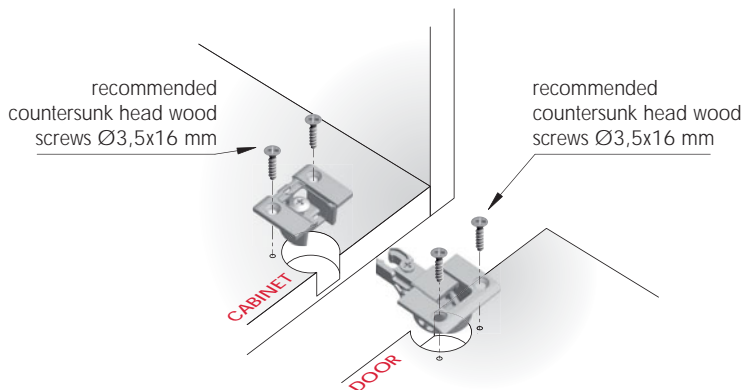
WITH VERTICAL ADJUSTMENT + 1 mm CARRIED OUT





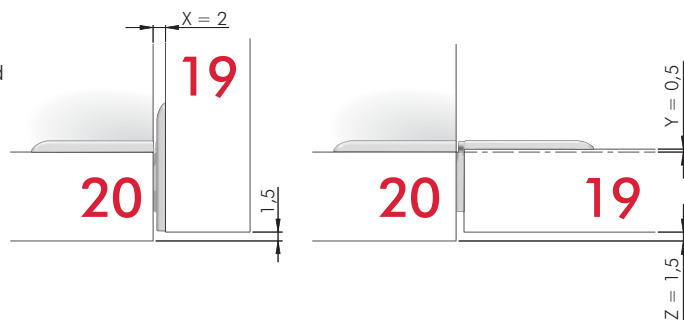
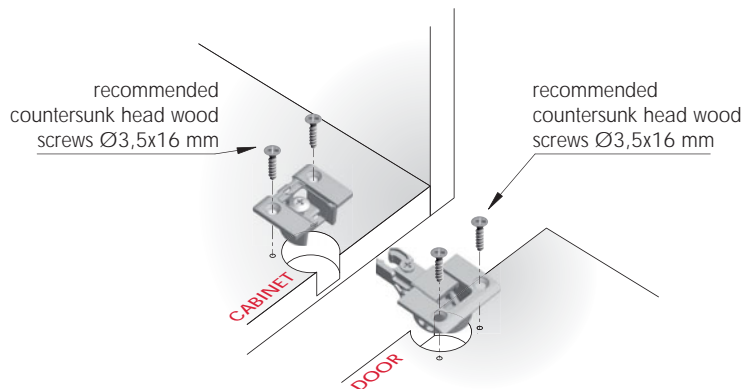
CABINET 20 mm WITHOUT ADAPTER - DOOR 18 mm WITHOUT ADAPTER

0 + 2 mm FURTHER VERTICAL ADJUSTMENT



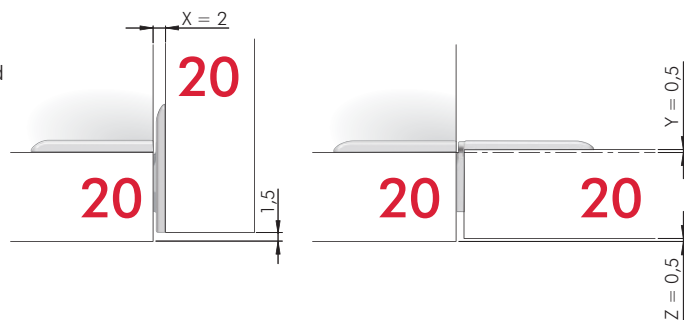
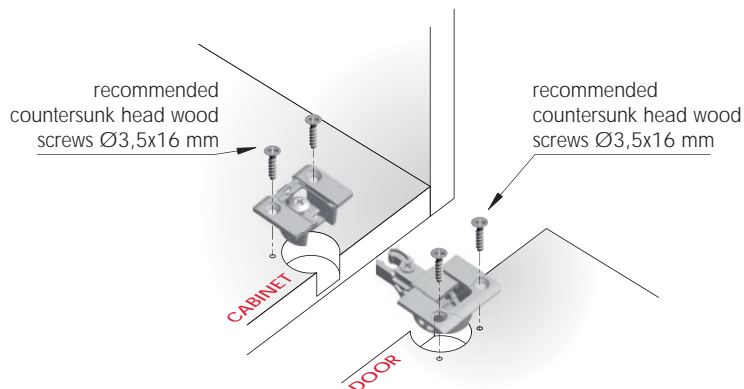
CABINET 20 mm WITHOUT ADAPTER - DOOR 19 mm WITHOUT ADAPTER

0 + 2 mm FURTHER VERTICAL ADJUSTMENT

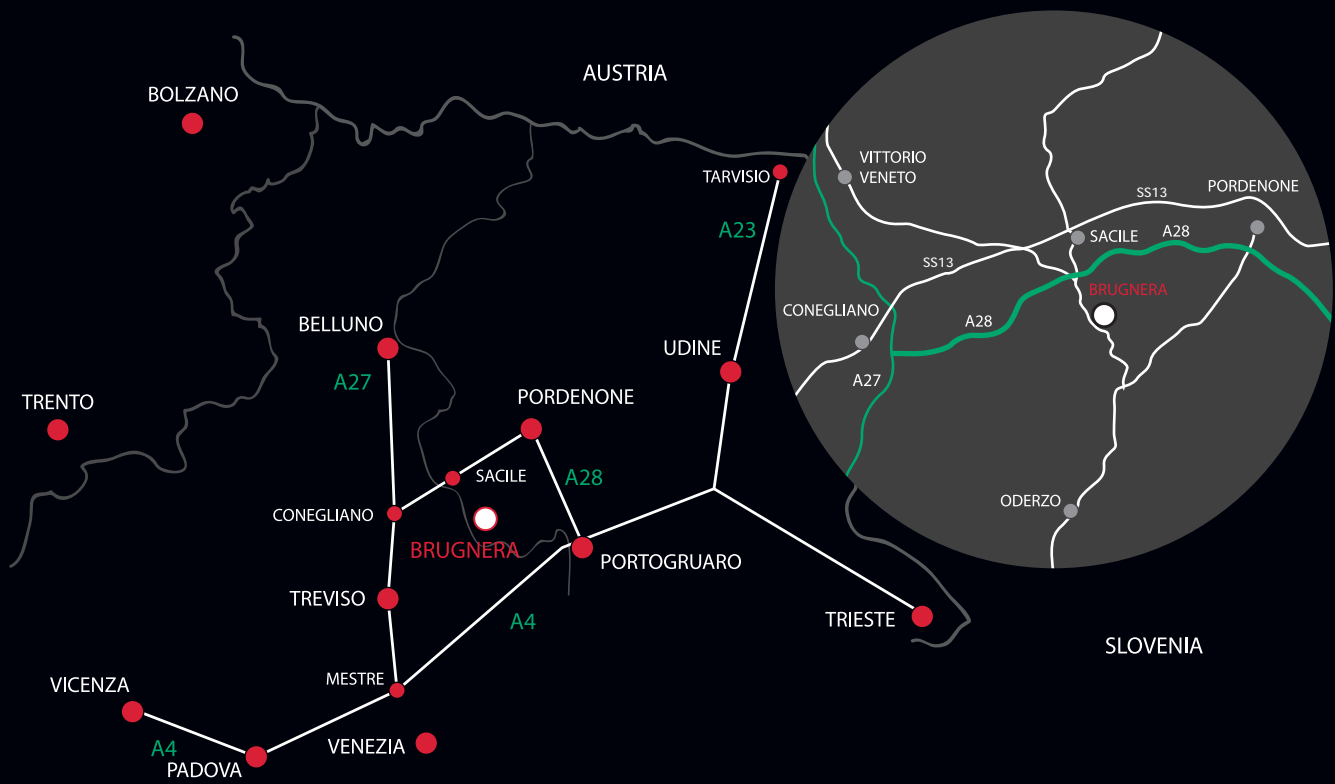


CABINET 20 mm WITHOUT ADAPTER - DOOR 20 mm WITHOUT ADAPTER

0 + 2 mm FURTHER VERTICAL ADJUSTMENT







www.italianaferramenta.it