

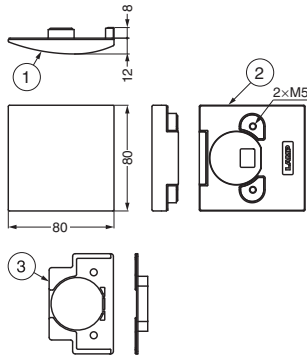
# FACE PLATE FOR GLASS DOOR



## GH-J95FP

HINGES FOR GLASS DOORS

FACE PLATE FOR GLASS DOOR



### J95 Application



### Parts Included

Countersunk head screw M5x18

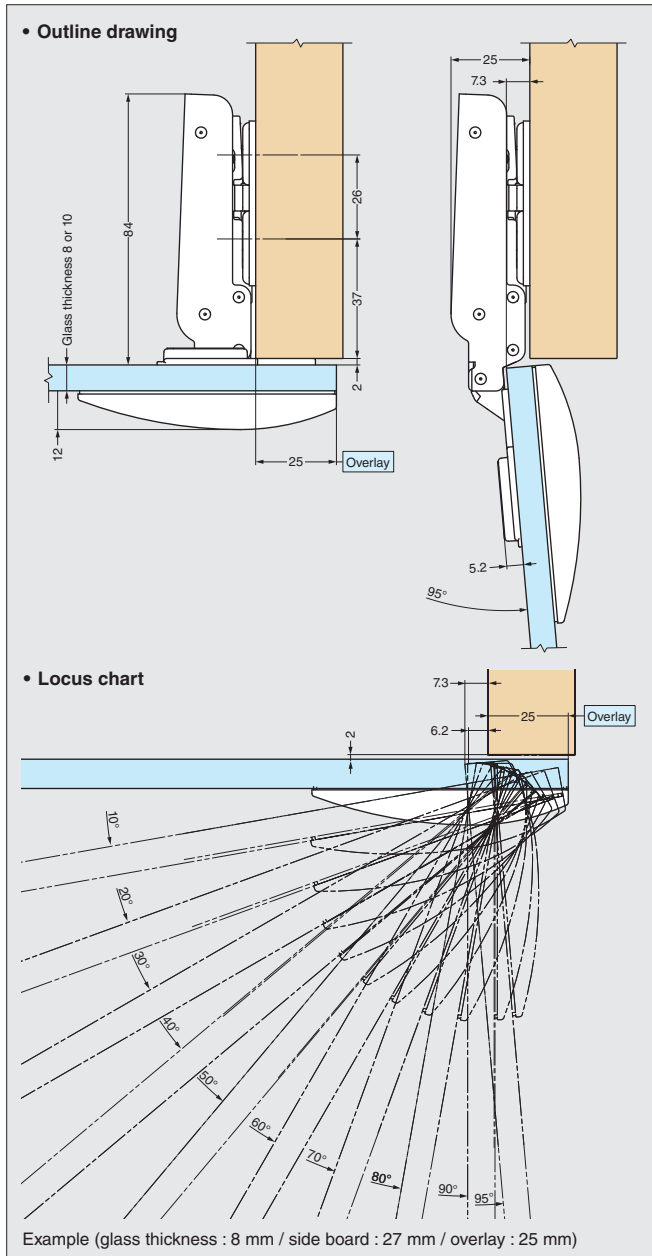
### Sold Separately

- Heavy duty concealed hinge J95 (P.368 - 371).
- Mounting plate J95-P6T (P.368)

\*Black Nickel will be available soon.

Item Code	Item Name	Material	Finish	Weight	Carton
160-032-418	GH-J95FP-CR	Zinc Alloy (ZDC)	Chrome	320 g	20 pcs
160-033-893	GH-J95FP-SN		Satin Nickel		20 pcs
160-043-378	GH-J95FP-BL		Black		20 pcs

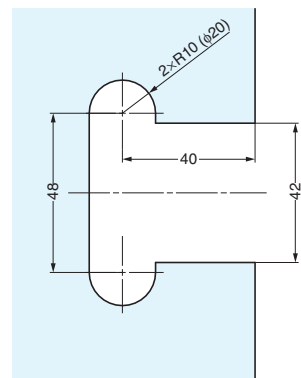
No.	Part Name	Material	Finish/Colour
①	Face Plate	Zinc Alloy (ZDC)	Chrome/Satin Nickel
②	Face Plate Spacer	Polyacetal	Black
③	Socket Spacer	(POM)	



### Opening Clearance

Hinge side = 0 mm  
Handle side = 0 mm

### Cut Out Dimensions



### Door Dimensions and Number of Hinges

