

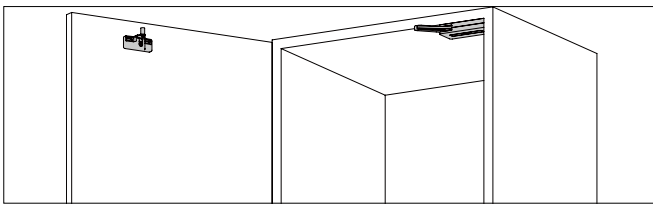
DAMPER CATCH



DC-200

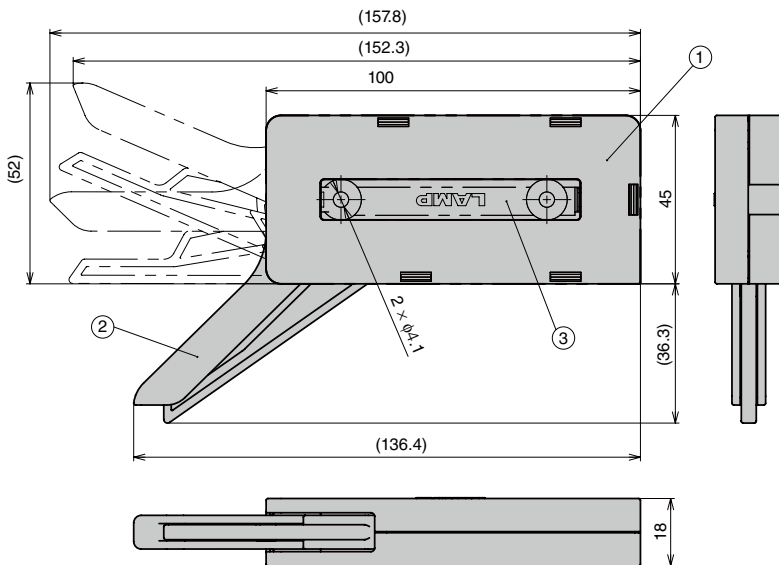


Installation Example

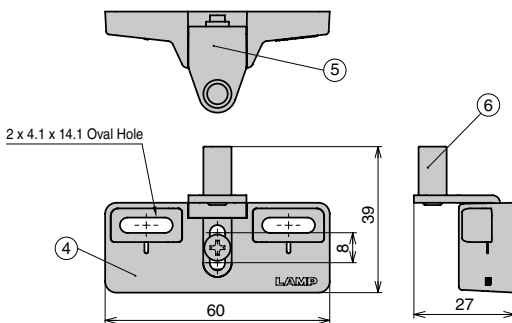


Attach to the interior of the cabinet.

Body



Counter Plate



Features

- Damper and catch combination for sideways opening doors.
- Prevents doors from slamming.
- Holds doors in closed position.
- Easy to install by simply aligning body with the interior wall.
- Non-handed.
- Can handle doors up to 40 kg. (When using DC-200 - 40).
- Strike can be adjusted post-installation: horizontally ± 5 mm, vertically ± 4 mm.
- Passed 50,000 open/close cycles in a private test.

Recommended hinges

- Heavy Duty Concealed Hinge J95 (With catch type)
- 3way Adjustable Concealed Hinge HES3D-90
- Single axis furniture hinges

Caution

- The screws for installing on sheet metal are not included. We recommend the following screws:
Recommended screws for body: Cross binding head M4 \times 30
Recommended screws for counter plate: Cross binding head M4 \times 15
- Do not install to body or strike to hollow surfaces.
- If there is a large resistant force during closing, the door may not close fully.

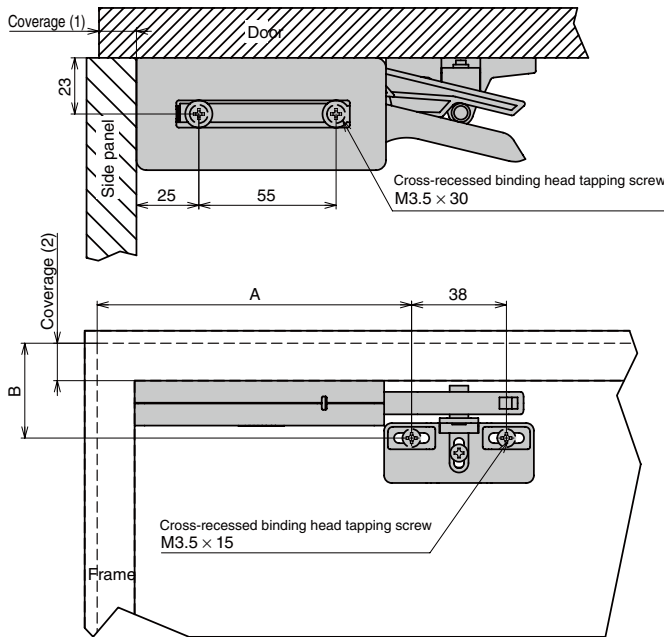
Parts included

- Body Cover
- Counter
- Screws to attach body: 3.5 \times 30
- Screws to attach counter: 3.5 \times 15

No.	Item Name	Materials	Finish/Colour
①	Body	PC/ABS	White / Black
②	Arm	PA	White / Black
③	Body Cover	ABS	White / Black
④	Counter	PC/ABS	White / Black
⑤	Counter Plate	Steel (SPCC)	Nickel Plating
⑥	Bumper	Elastomer	Gray

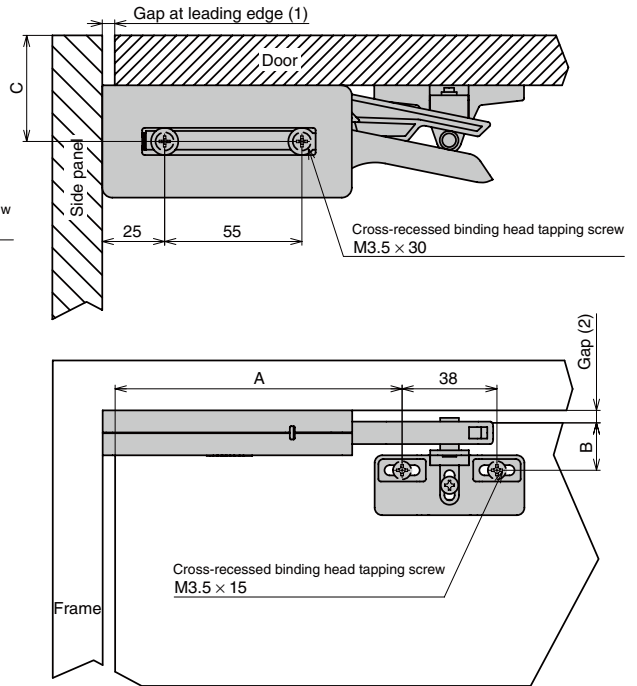
CAD	Item Code	Item Name	Colour	Door Width	Door Height	Load Capacity (kg)	Weight (g)
2F 3D	140-043-604	DC-200-25WT	White	450 - 900	Under 2400	7 - 25	105
2F 3D	140-043-605	DC-200-25BL	Black				
2F 3D	140-043-606	DC-200-40WT	White			25 - 40	
2F 3D	140-043-607	DC-200-40BL	Black				

For lapped (outset) doors



For inset doors

Install a door stopper in addition to this product.

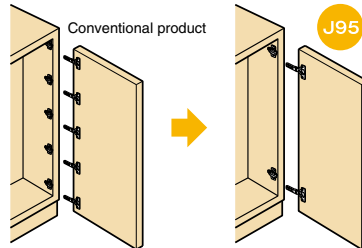


	A	B	C
Outset Doors	114 + Coverage (1)	24 + Coverage (2)	
Inset Doors	114 - gap at leading edge (1)	24 - gap (2)	23+Door Thickness

Related Products

ONE-TOUCH SLIDING HINGE FOR HEAVY DOORS

J95



Two pieces will do the job of five conventional hinges!

Features

- A sliding hinge for heavy doors that can be used together with the DC-200 damper catch.
 - Use the type with a catch **if using together** with the DC-200 damper catch.
 - Supports large doors weighing up to 25 kg with 2 hinges or up to 40 kg with 3 hinges.
 - Enables one-touch installation and removal of the door.
 - Enables three-dimensional adjustment of the door. (+1.5 mm/-2.5 mm forward/back, ±3 mm up/down, +0 mm/-4 mm coverage adjustment [left/right])
 - Streamlined design free of protrusions such as adjustment screws on the body top.
- To ensure safety, the lock lever does not protrude from the back of the body.

Related Products

LAPCON DOOR DAMPER

LDD-S, LDD-V



LDD-S



LDD-V

Features

- A damper for doors (fixtures).
- Enables the door to be opened with less force than with door closers.
- Supports doors weighing up to 40 kg.
- Contact us if your door is wider than 900 mm.